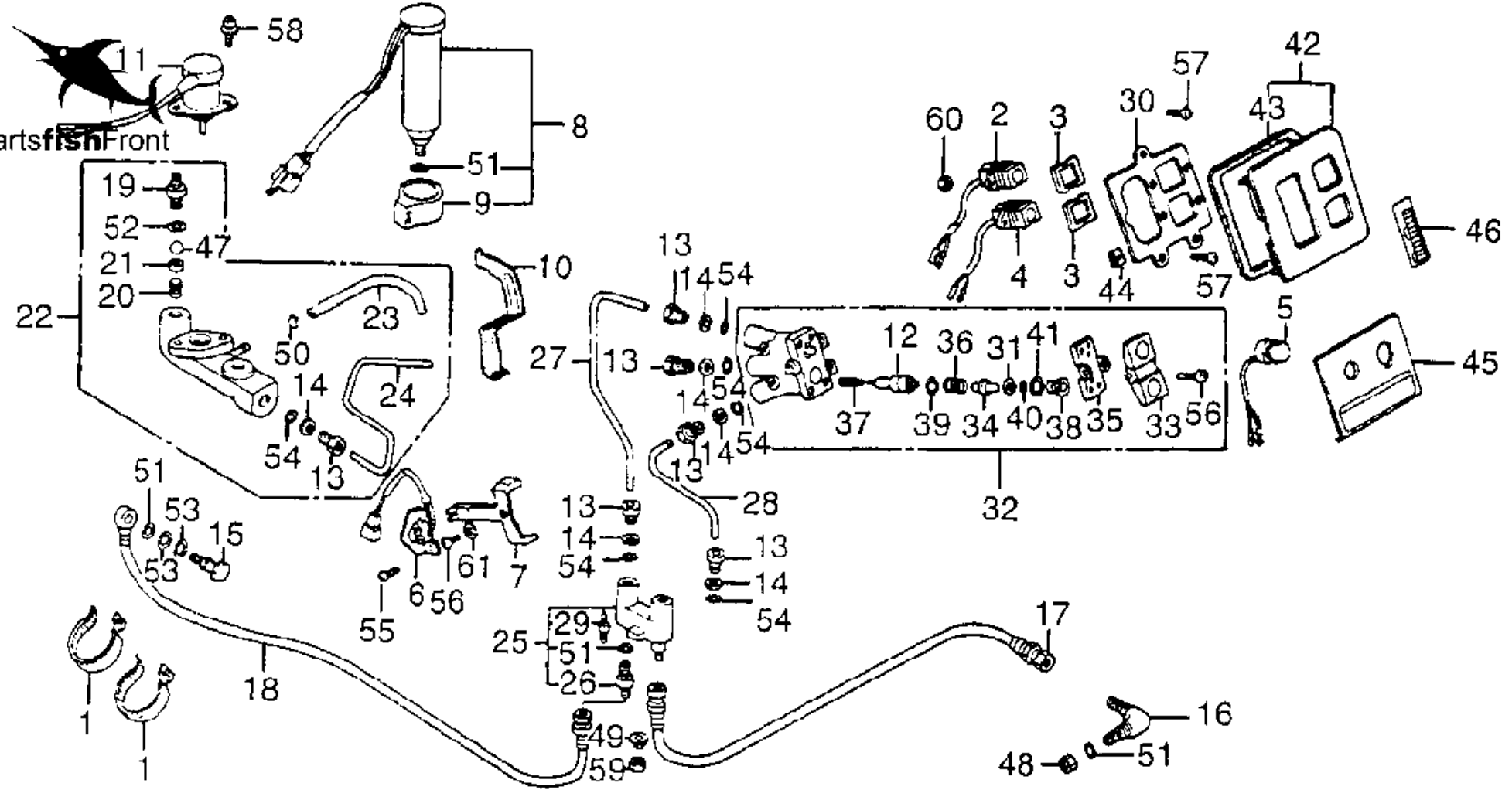
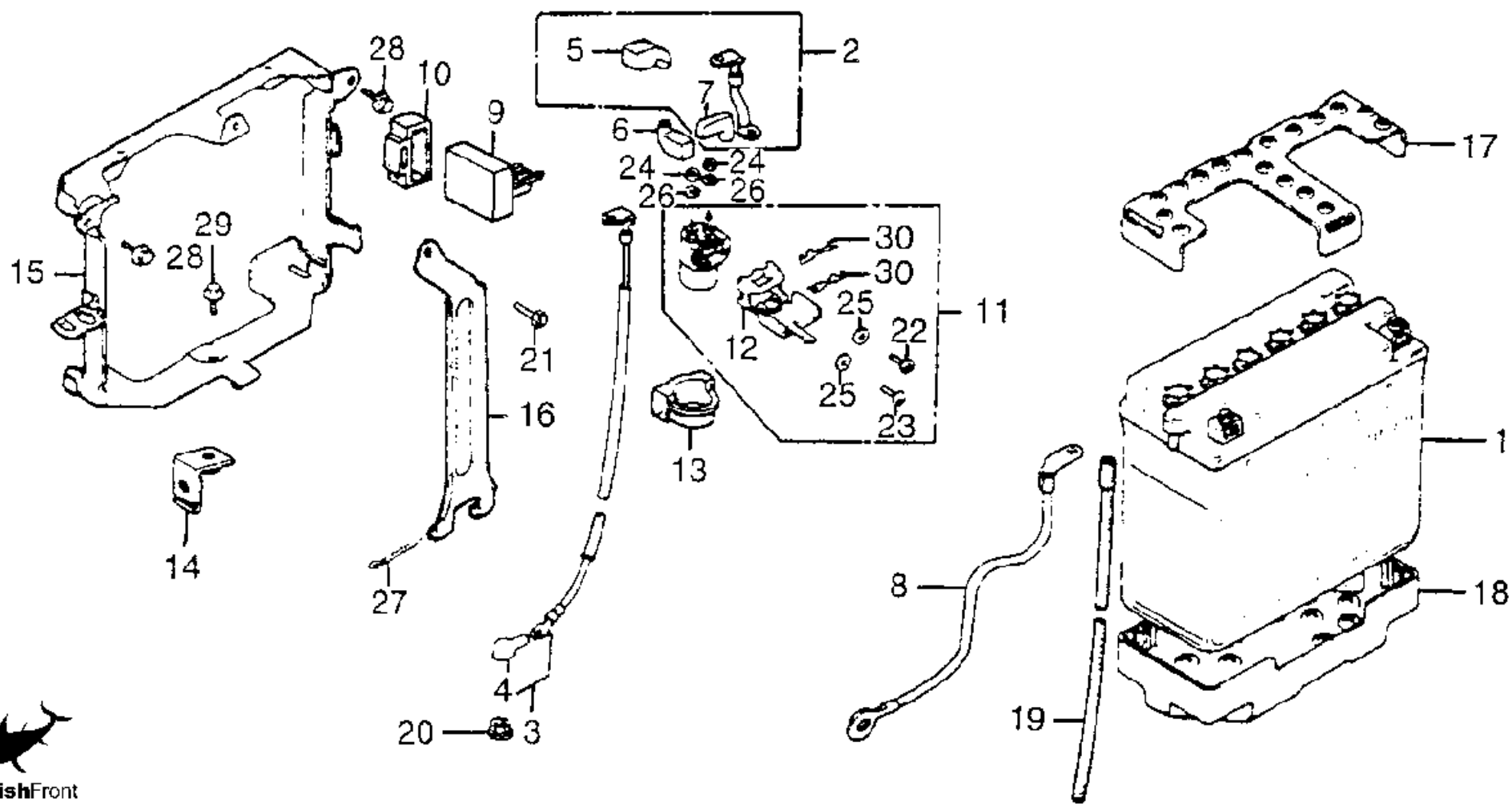
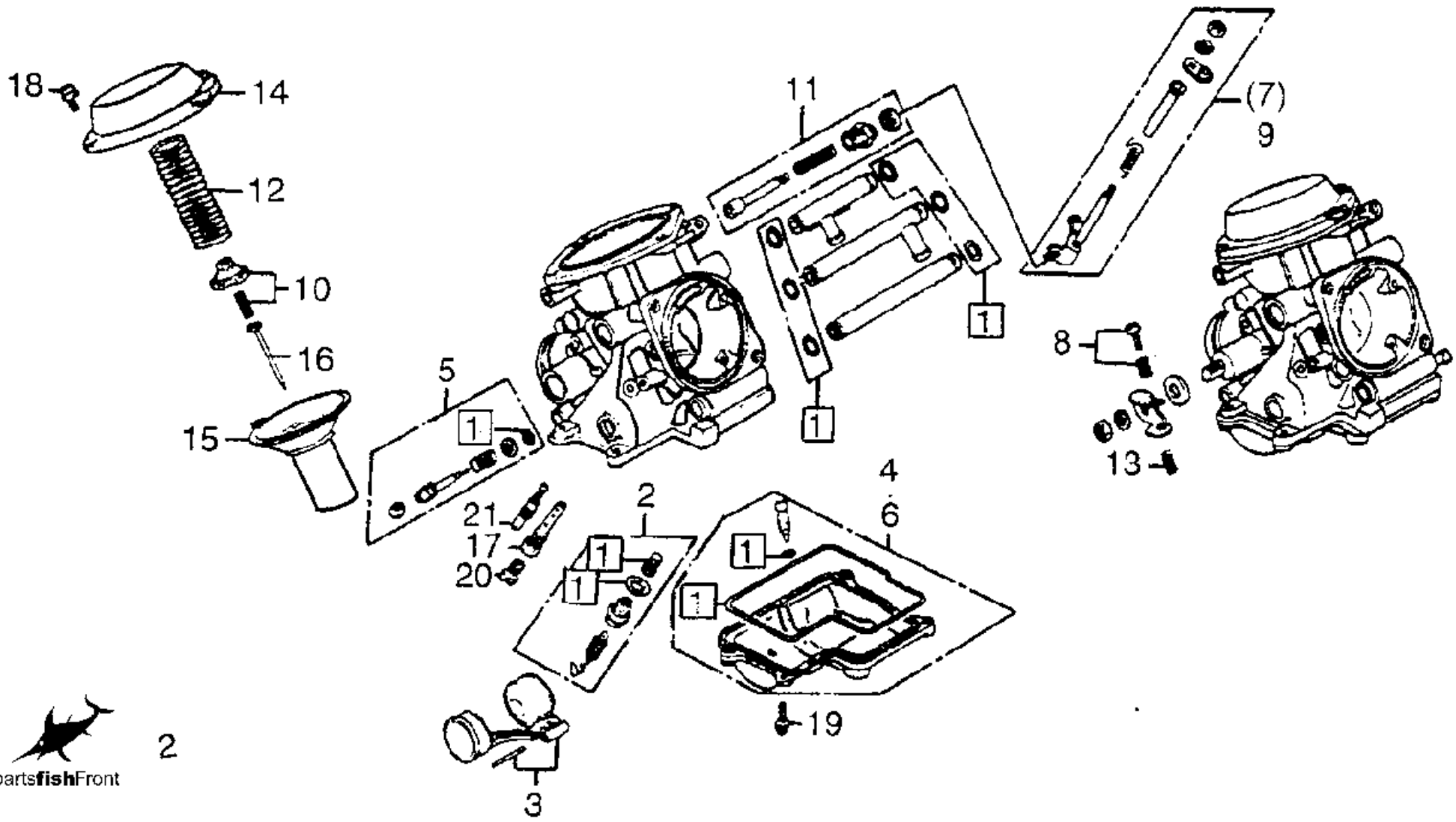
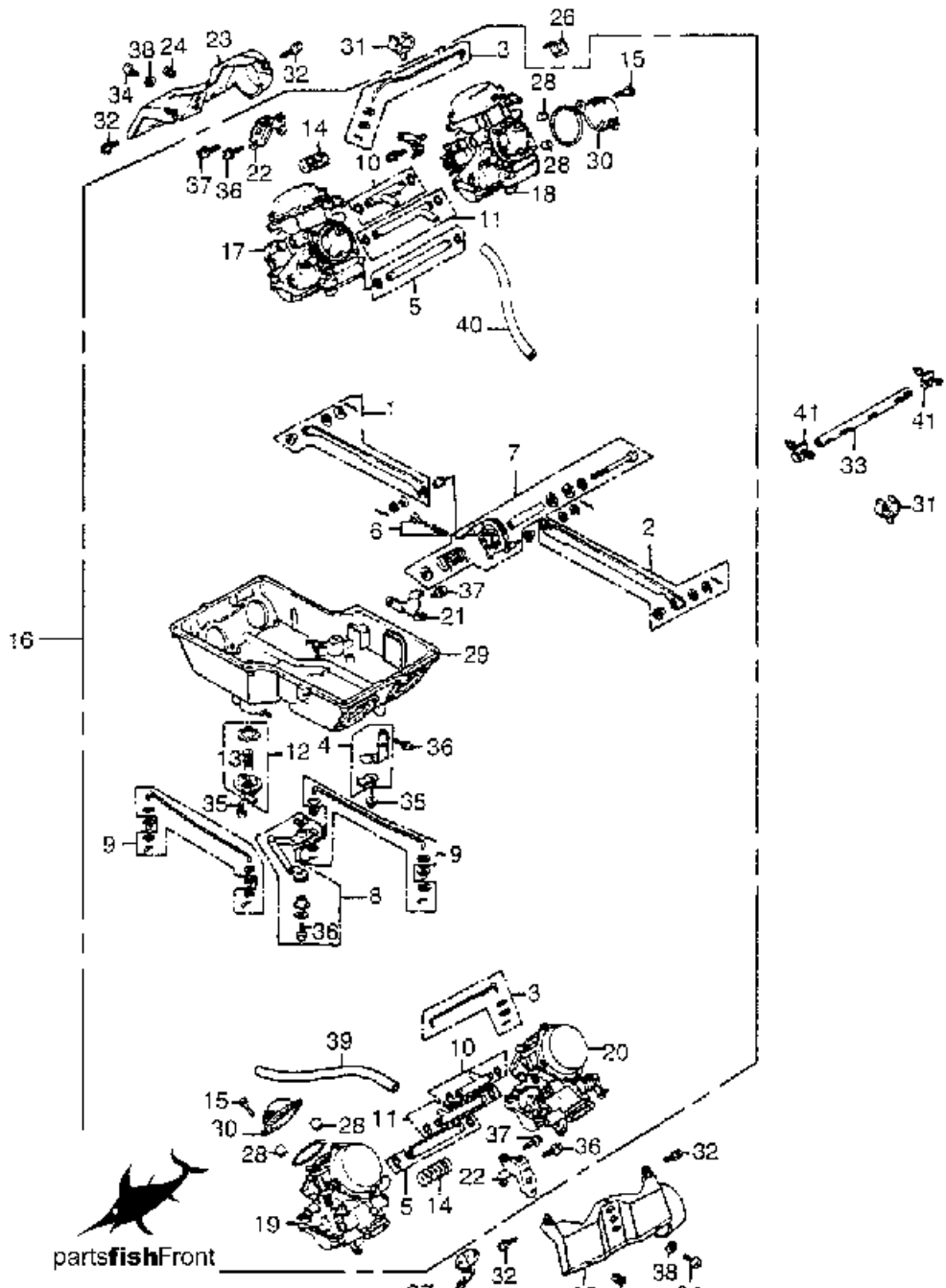


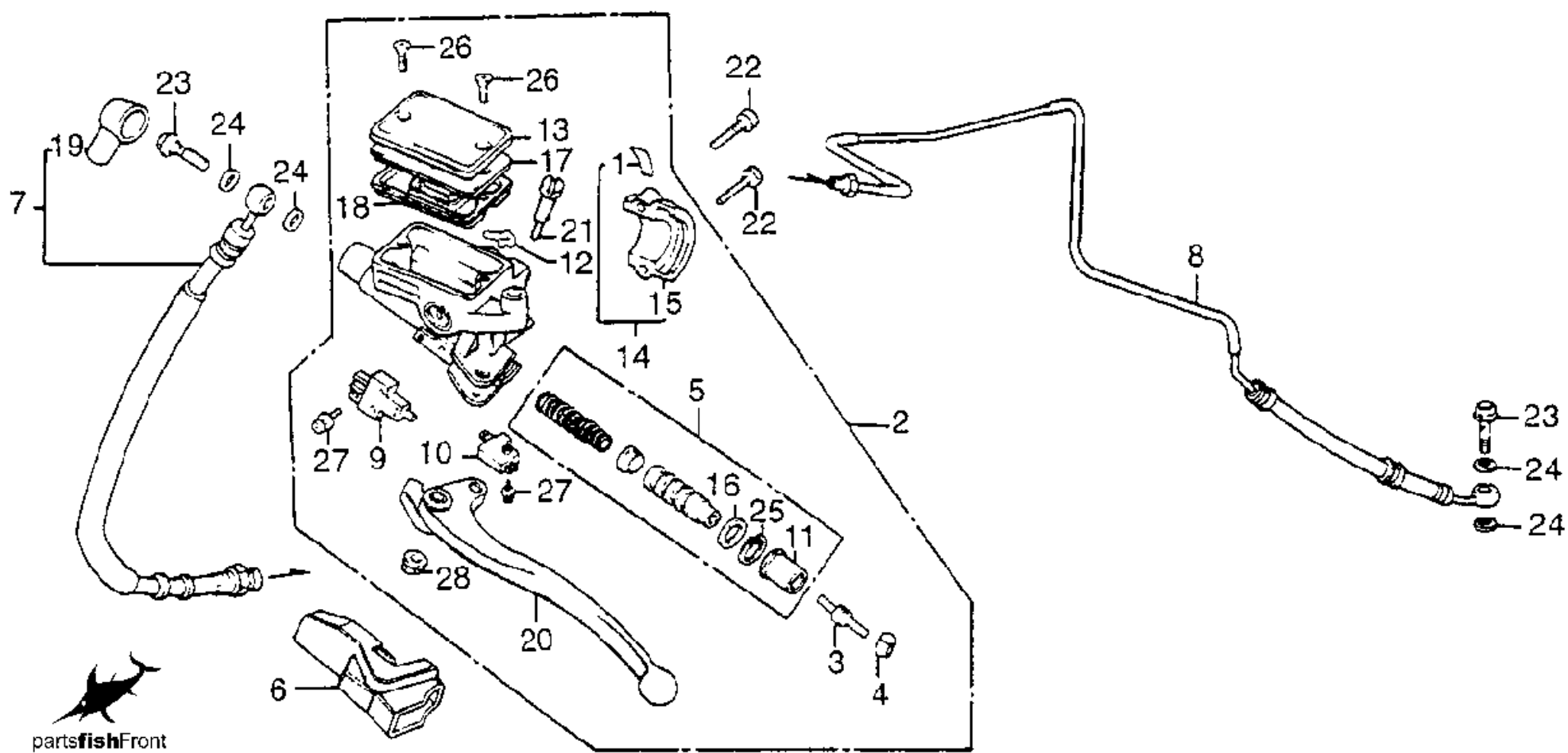
parts fish Front

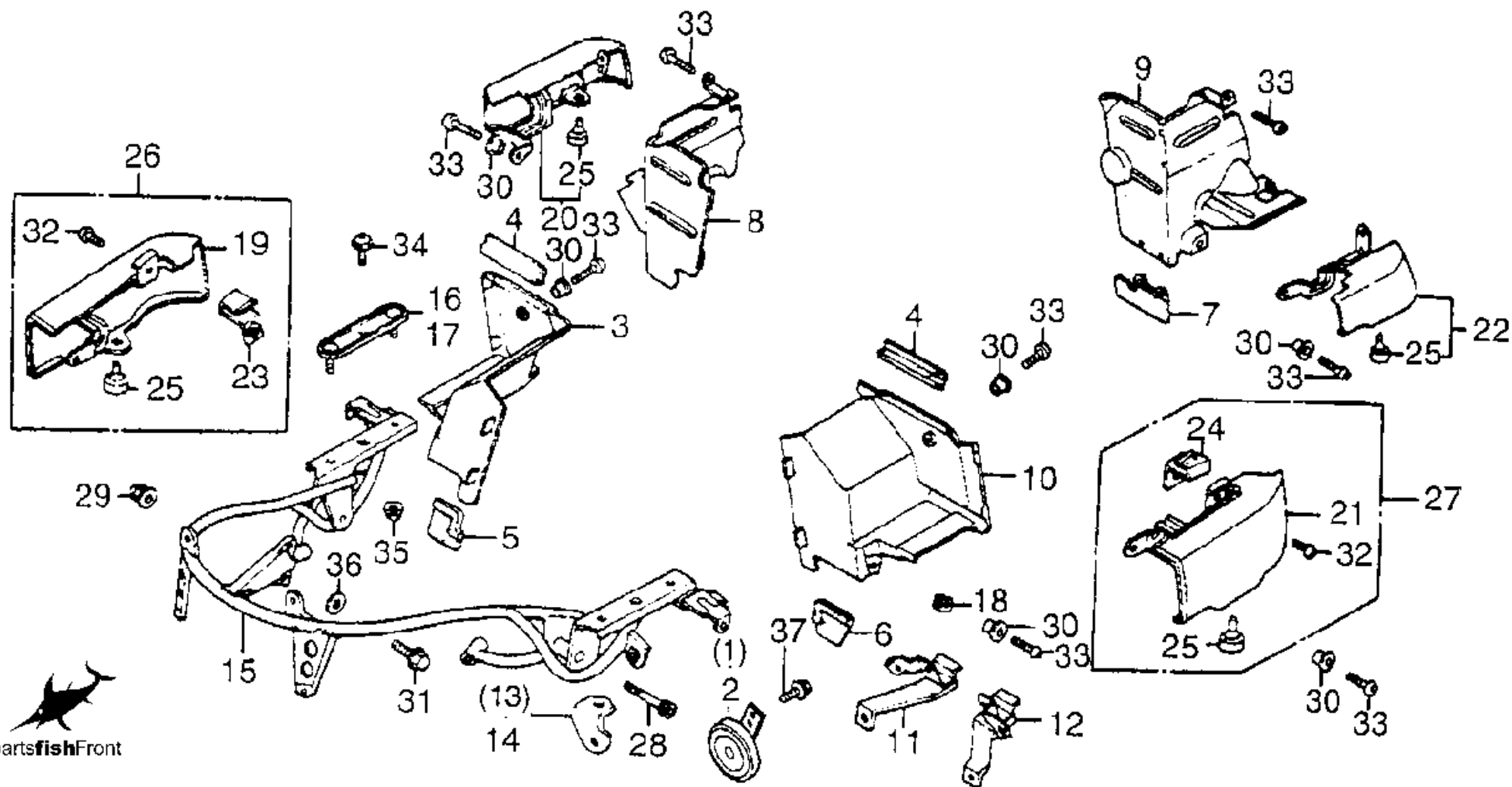


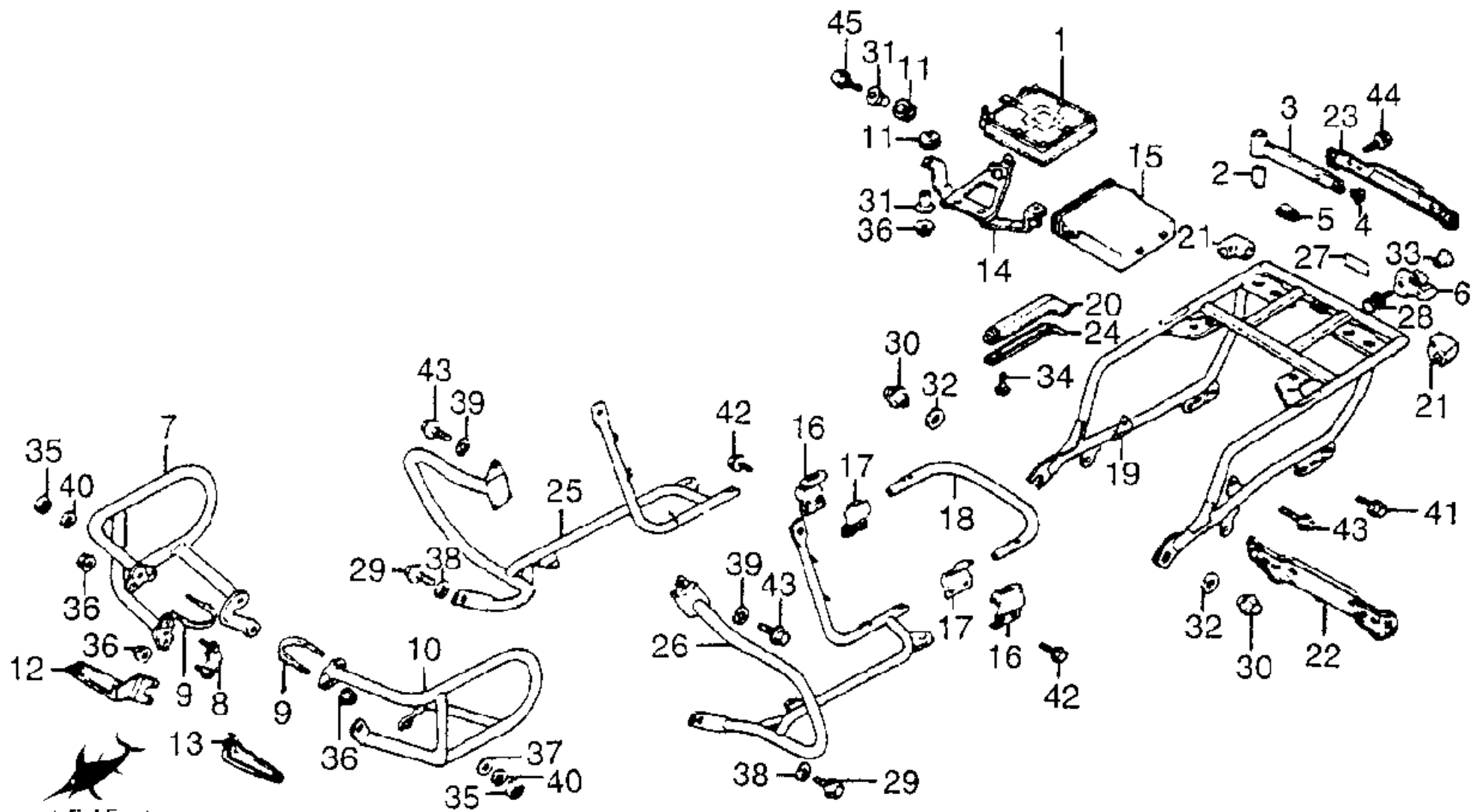


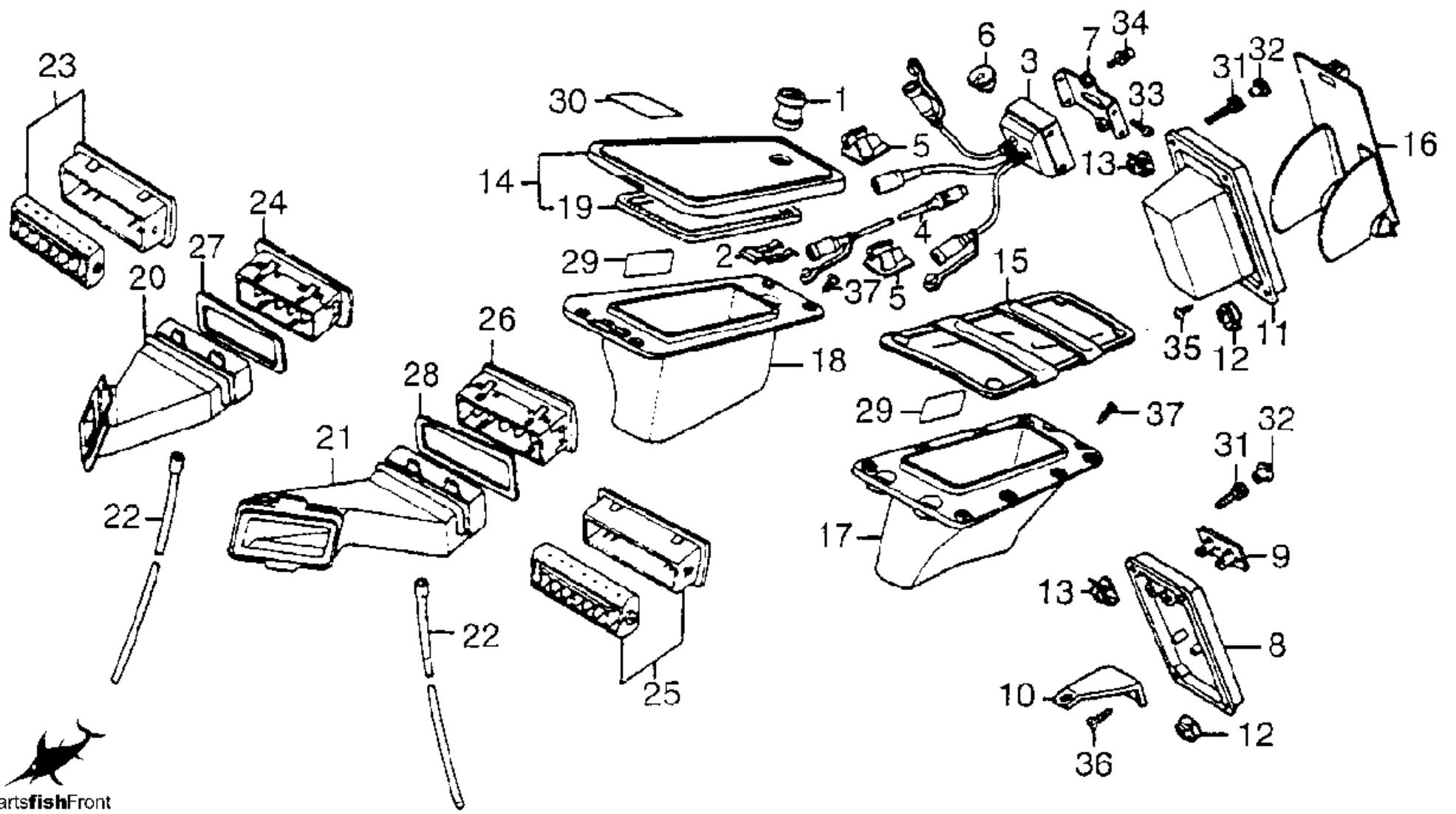


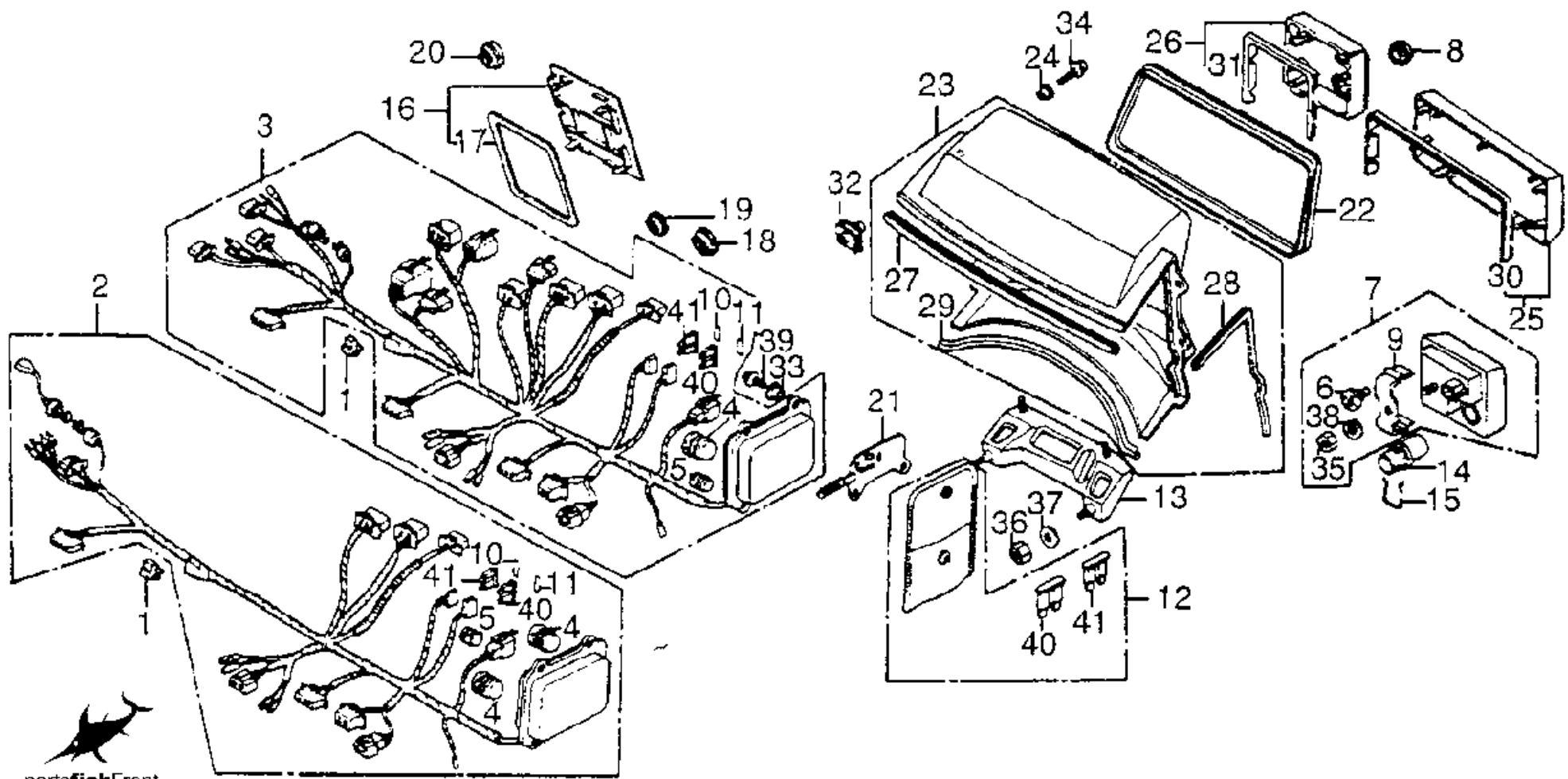


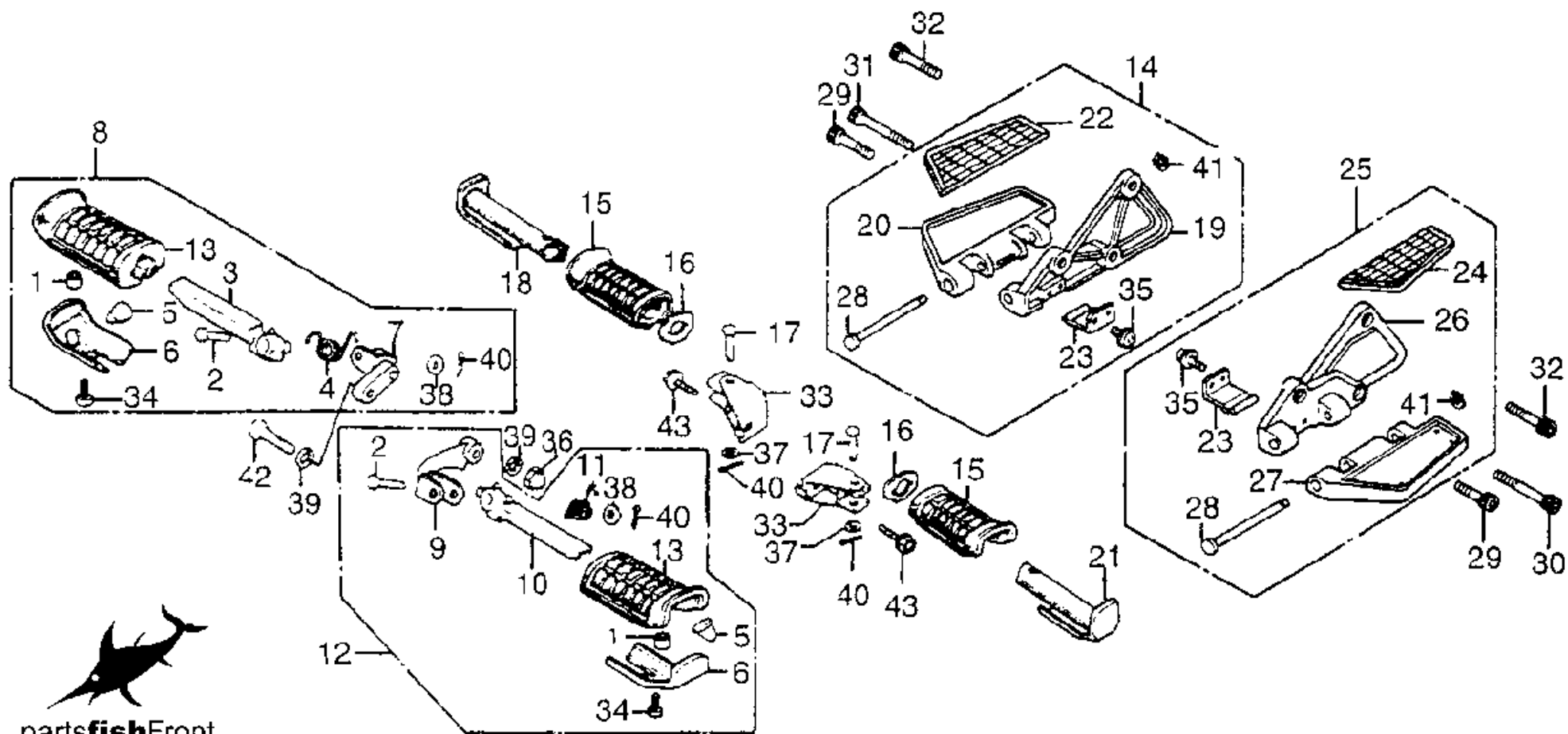


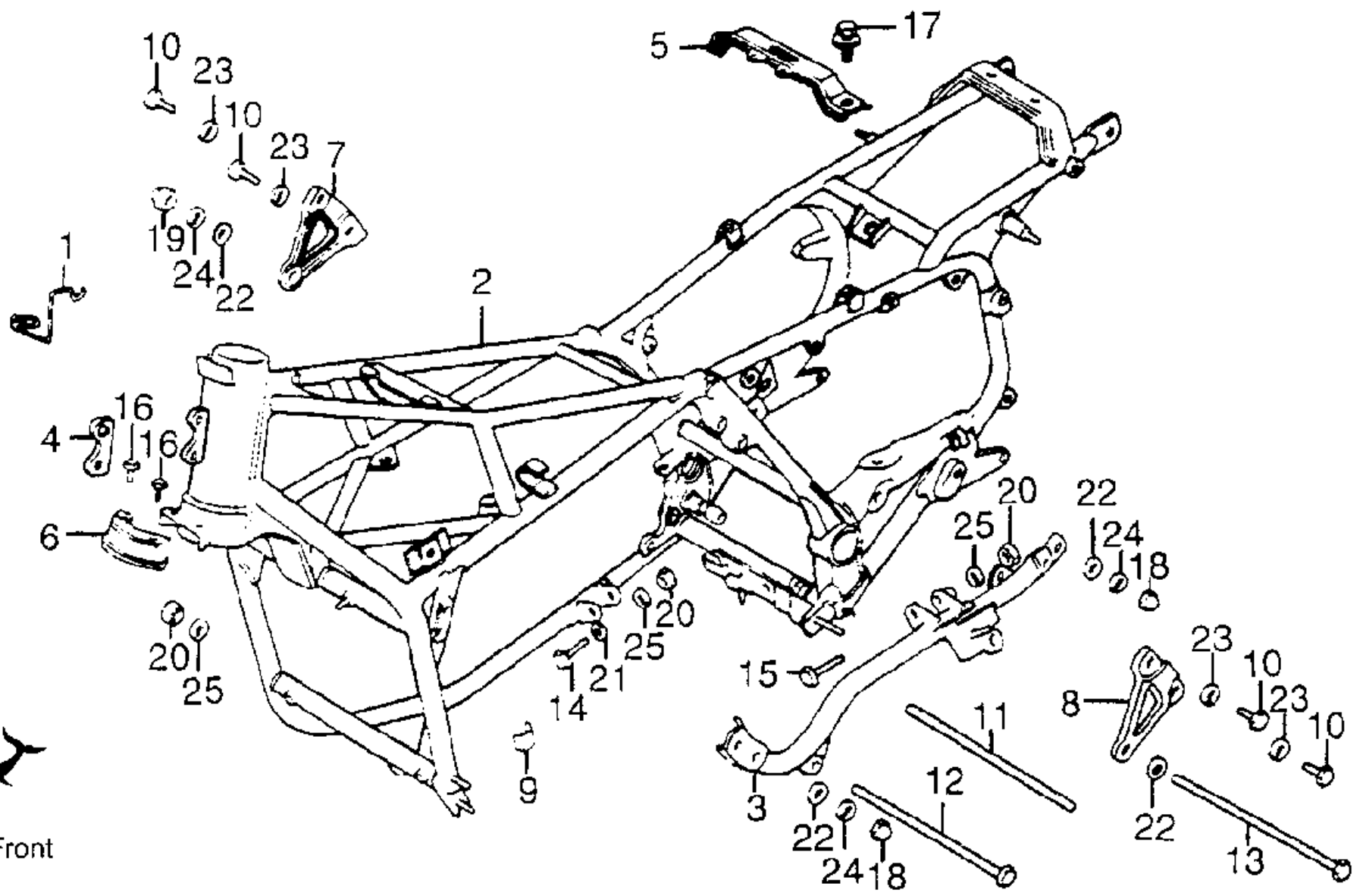


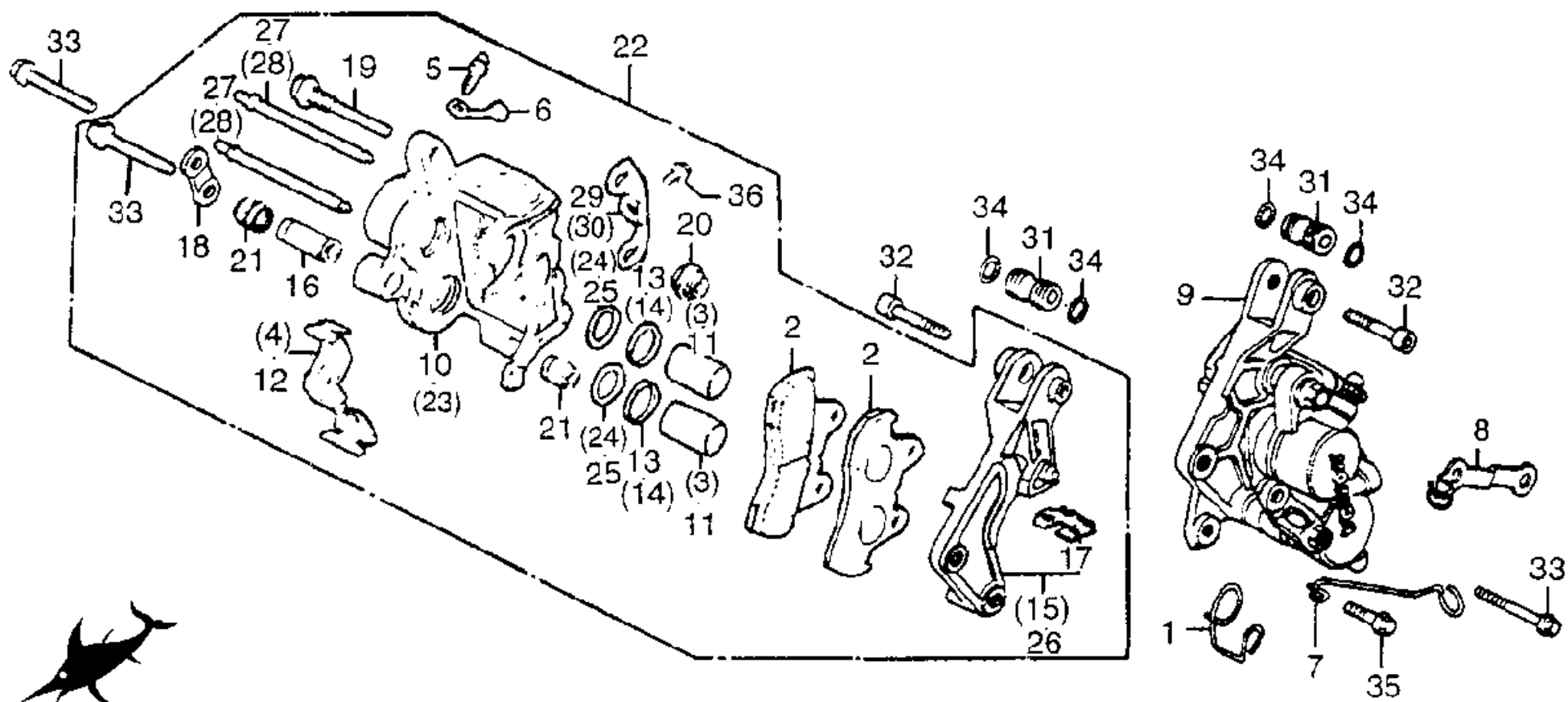


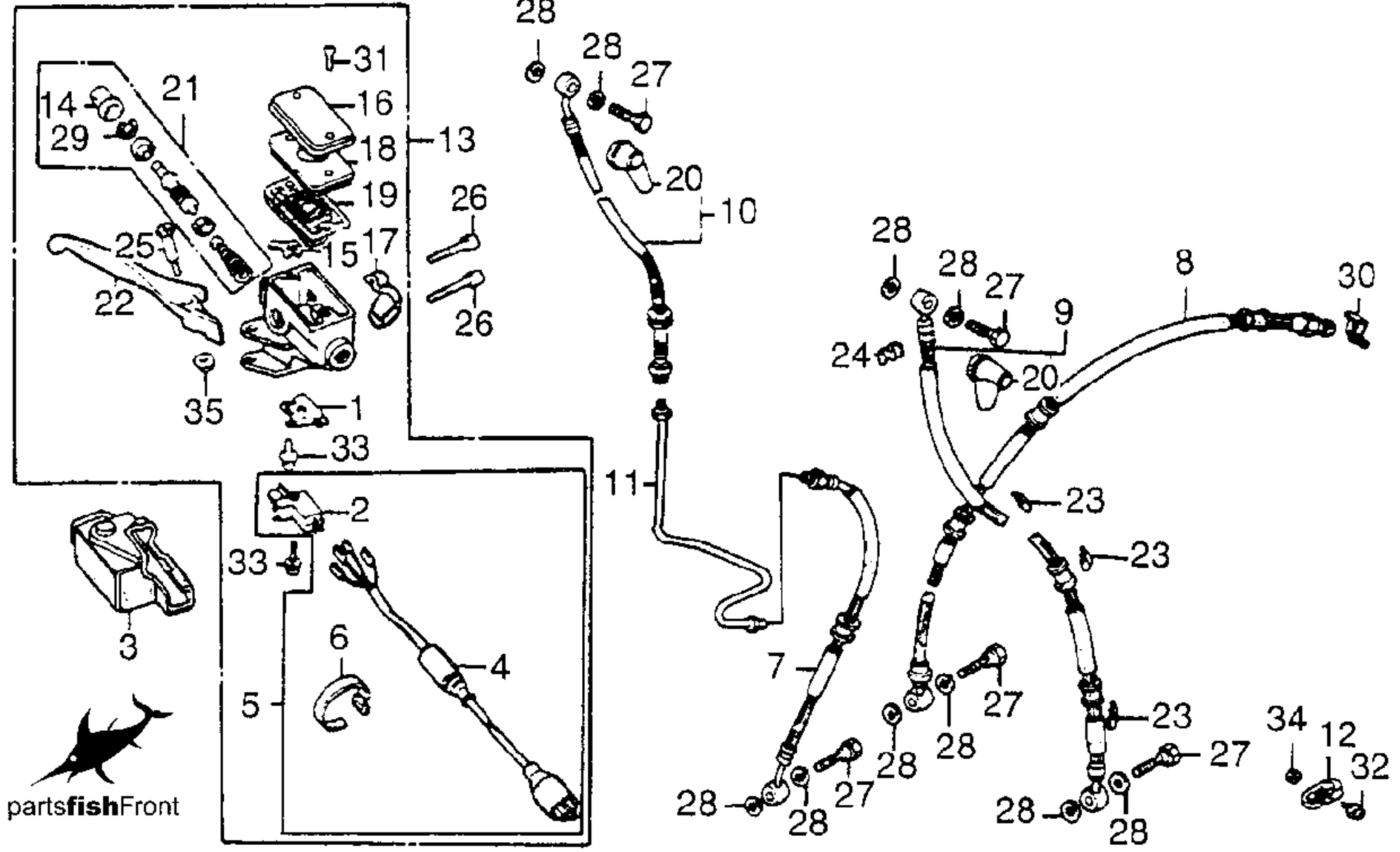




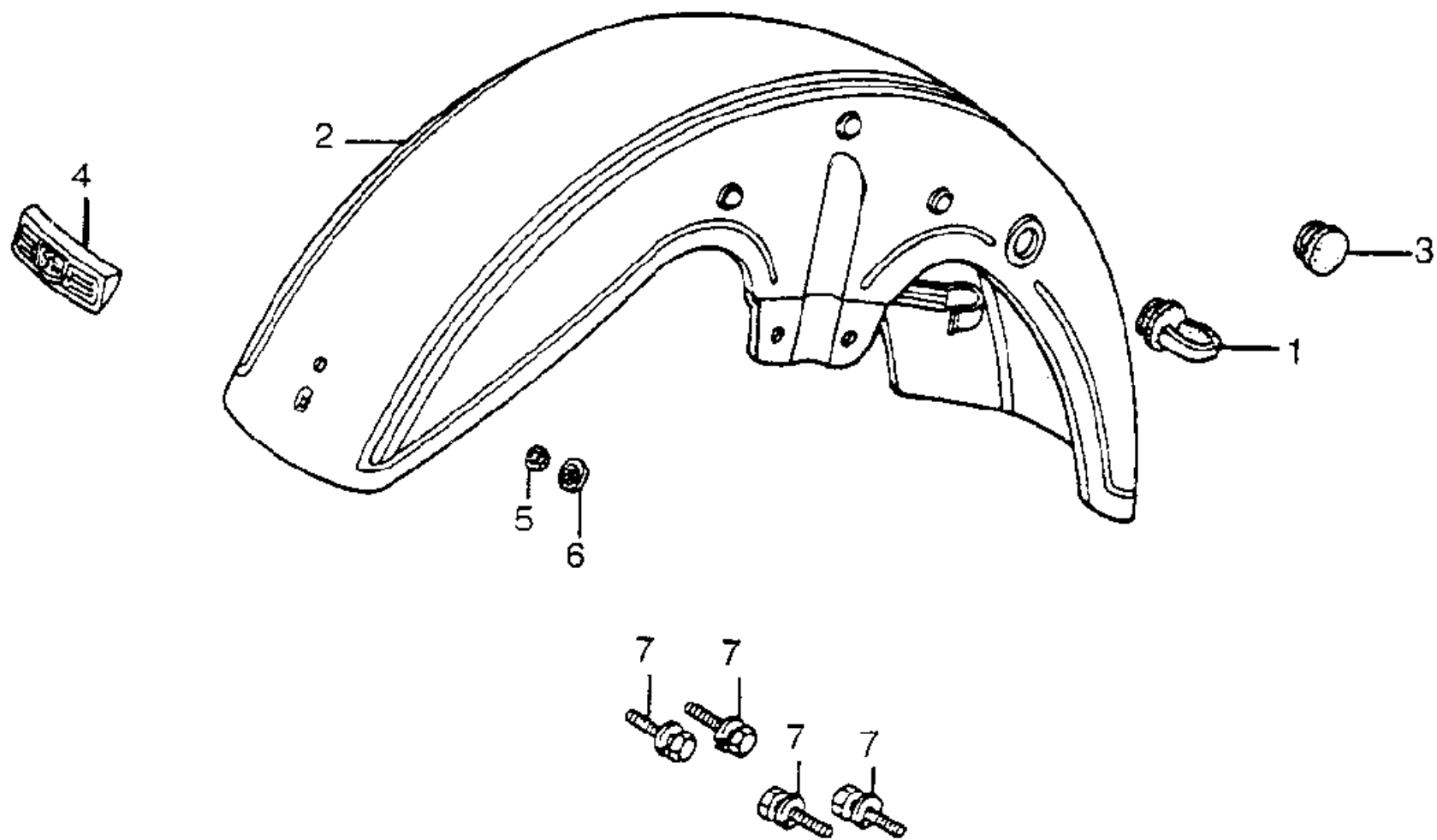


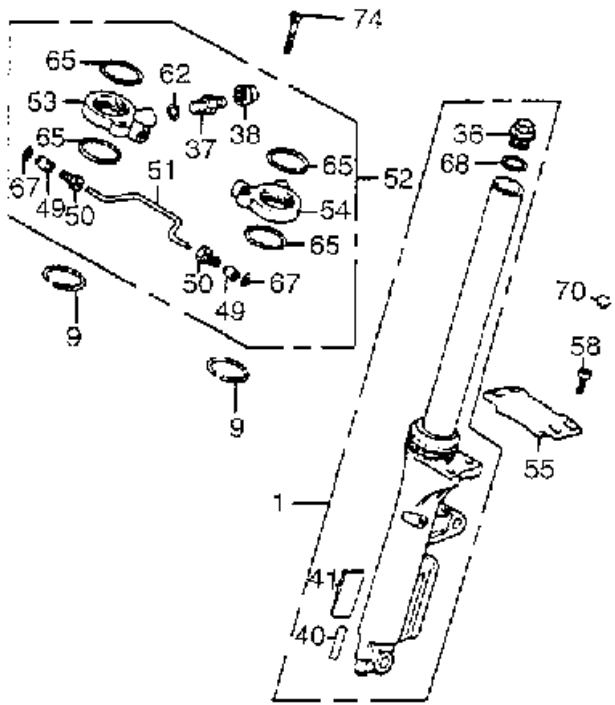




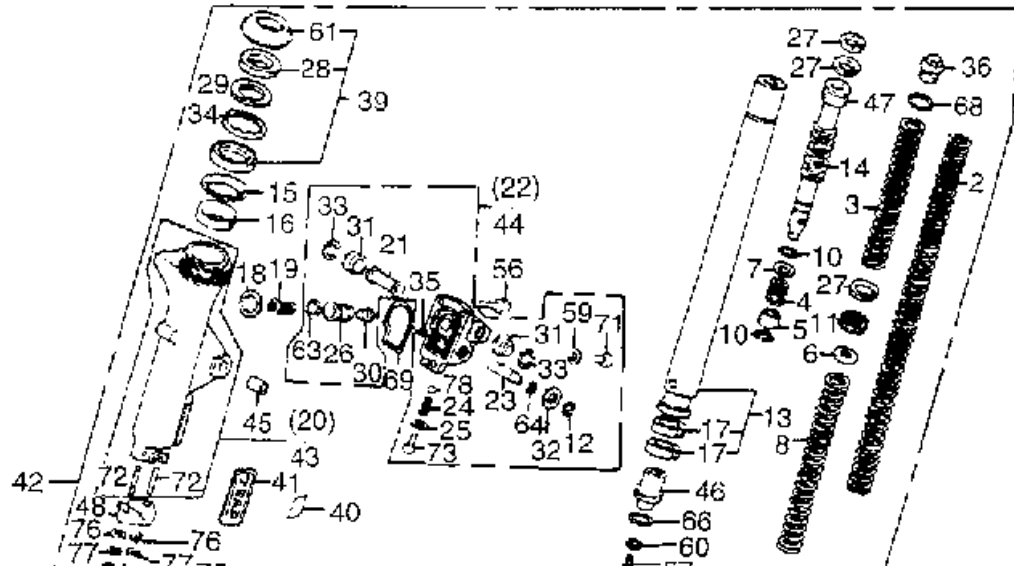


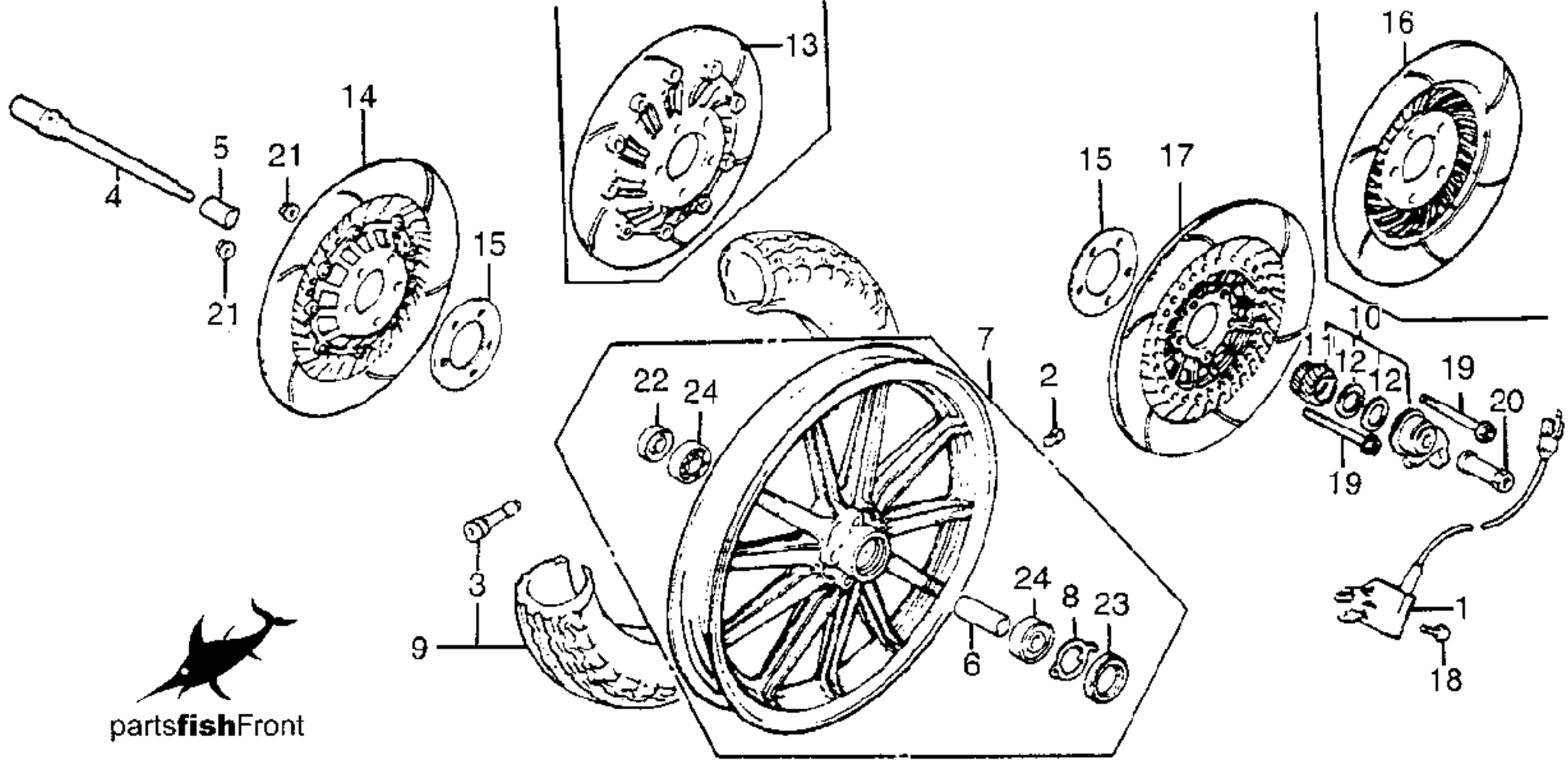
partsfishFront

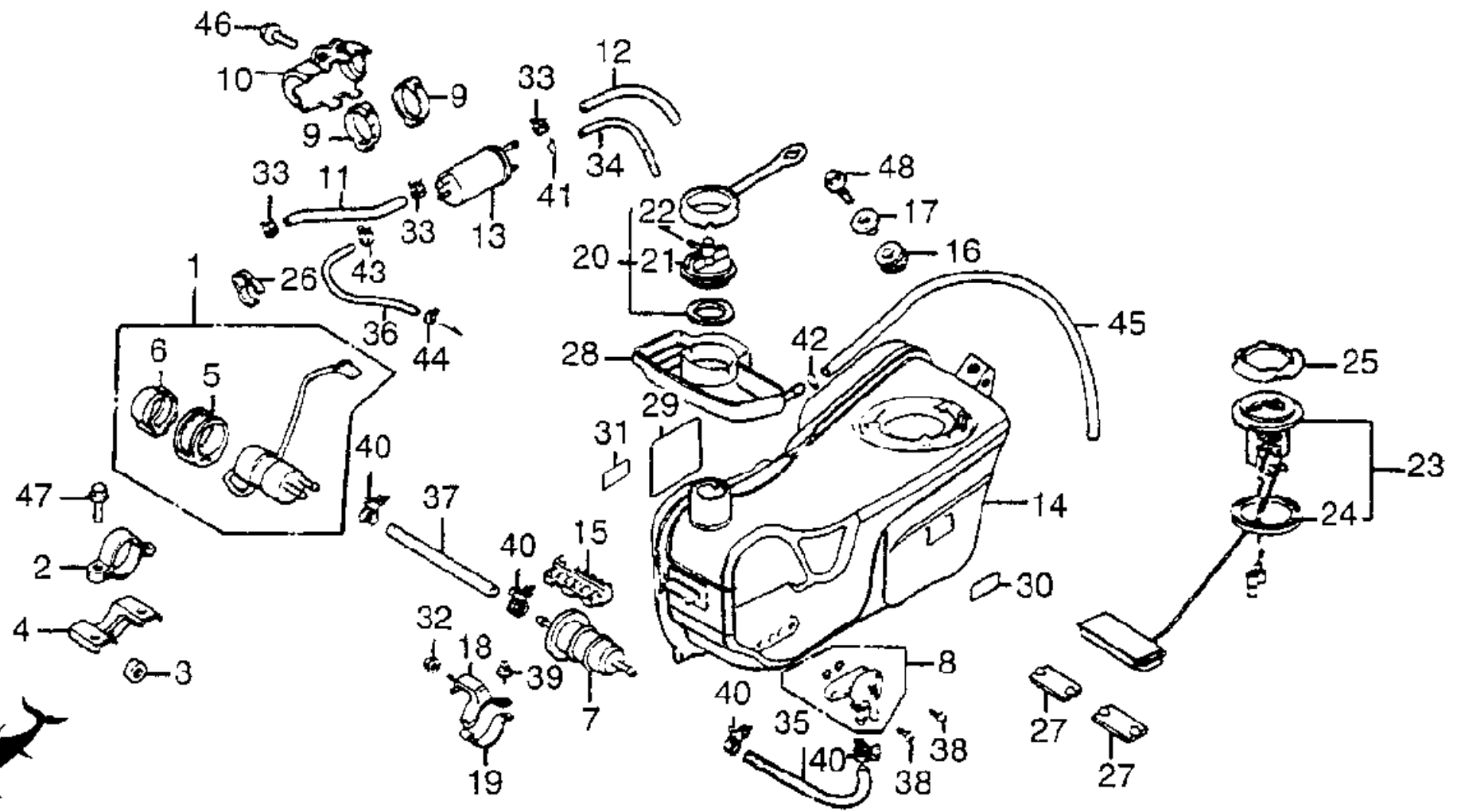


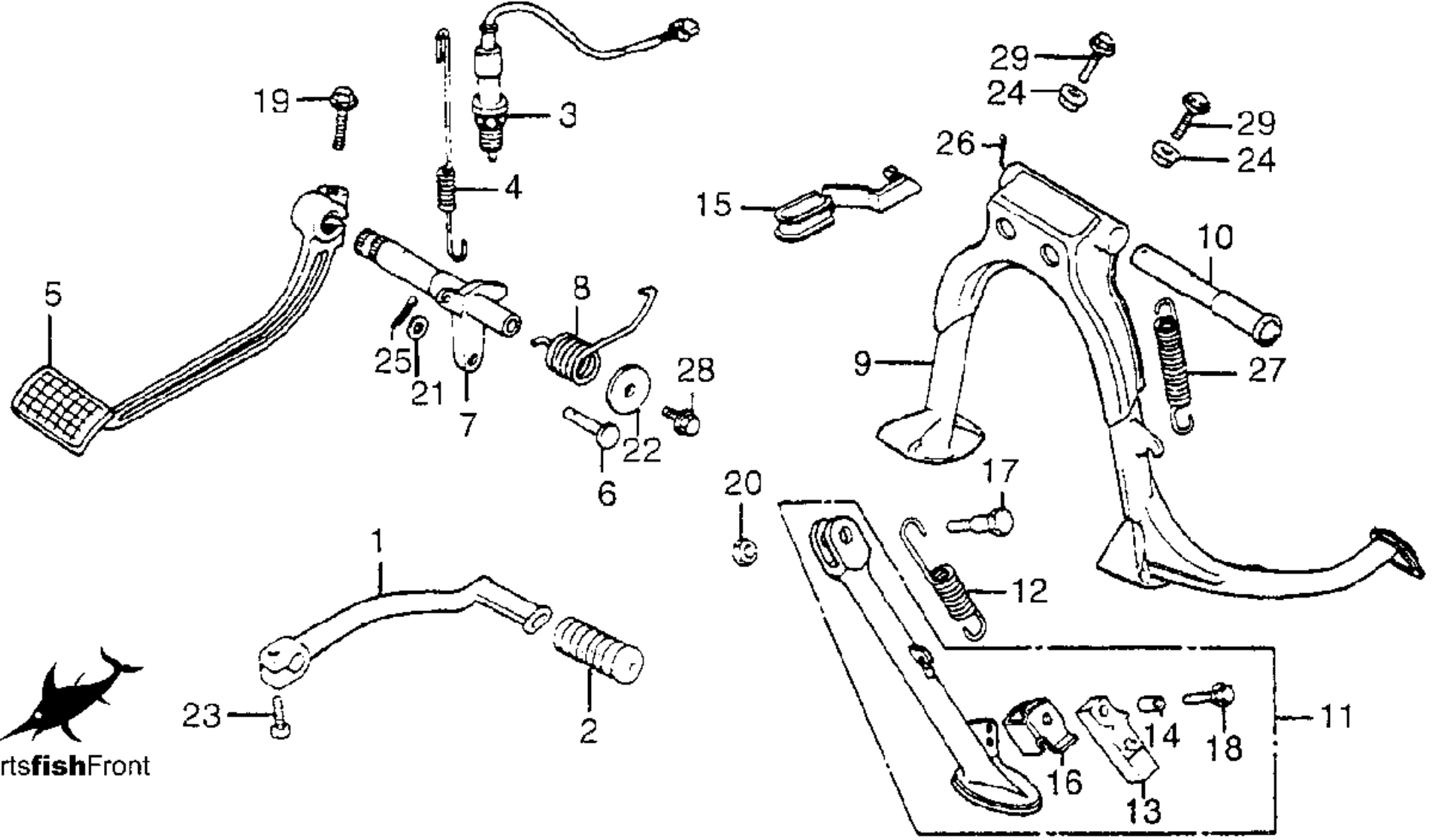


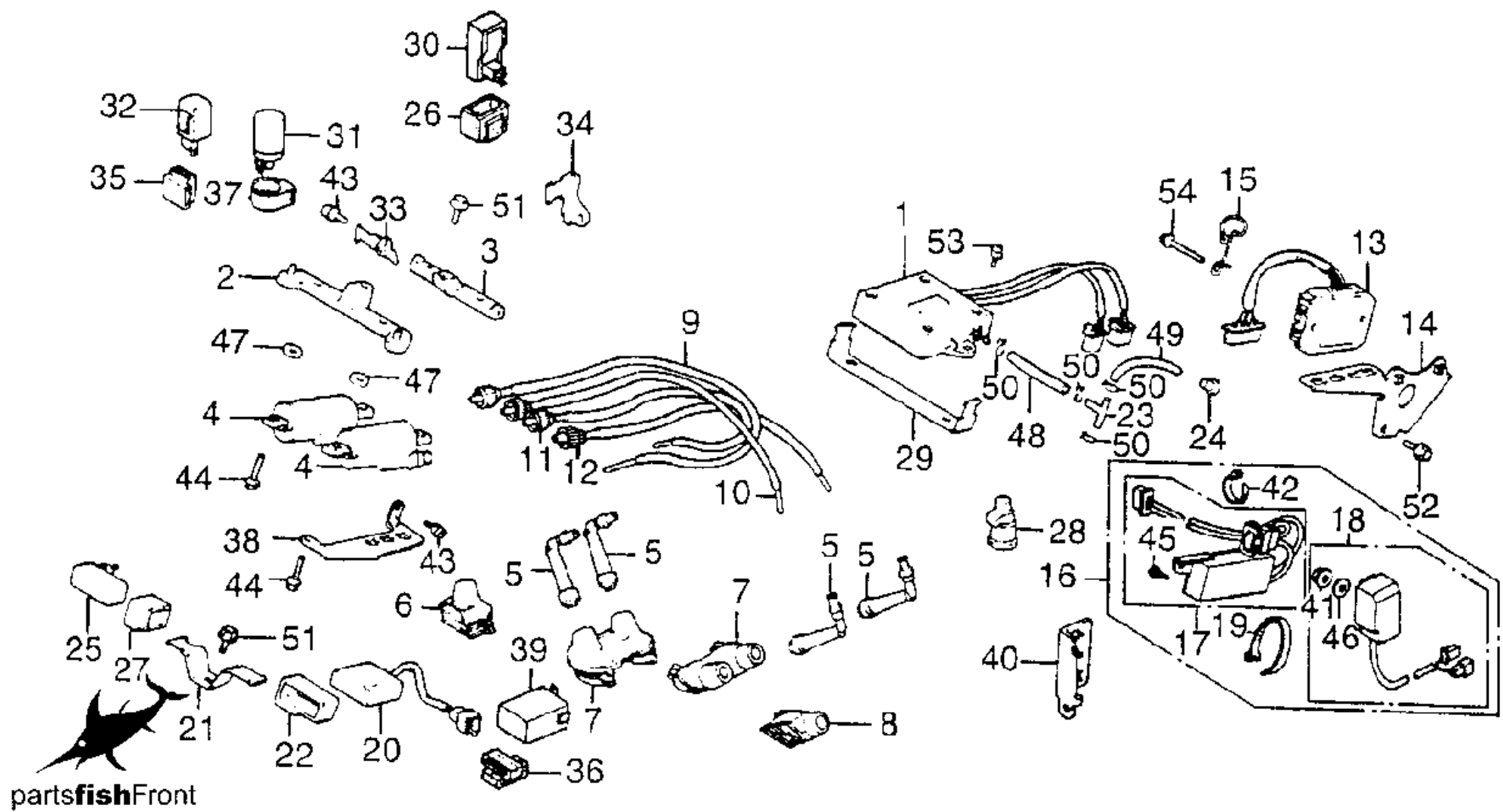
parts**fish**Front



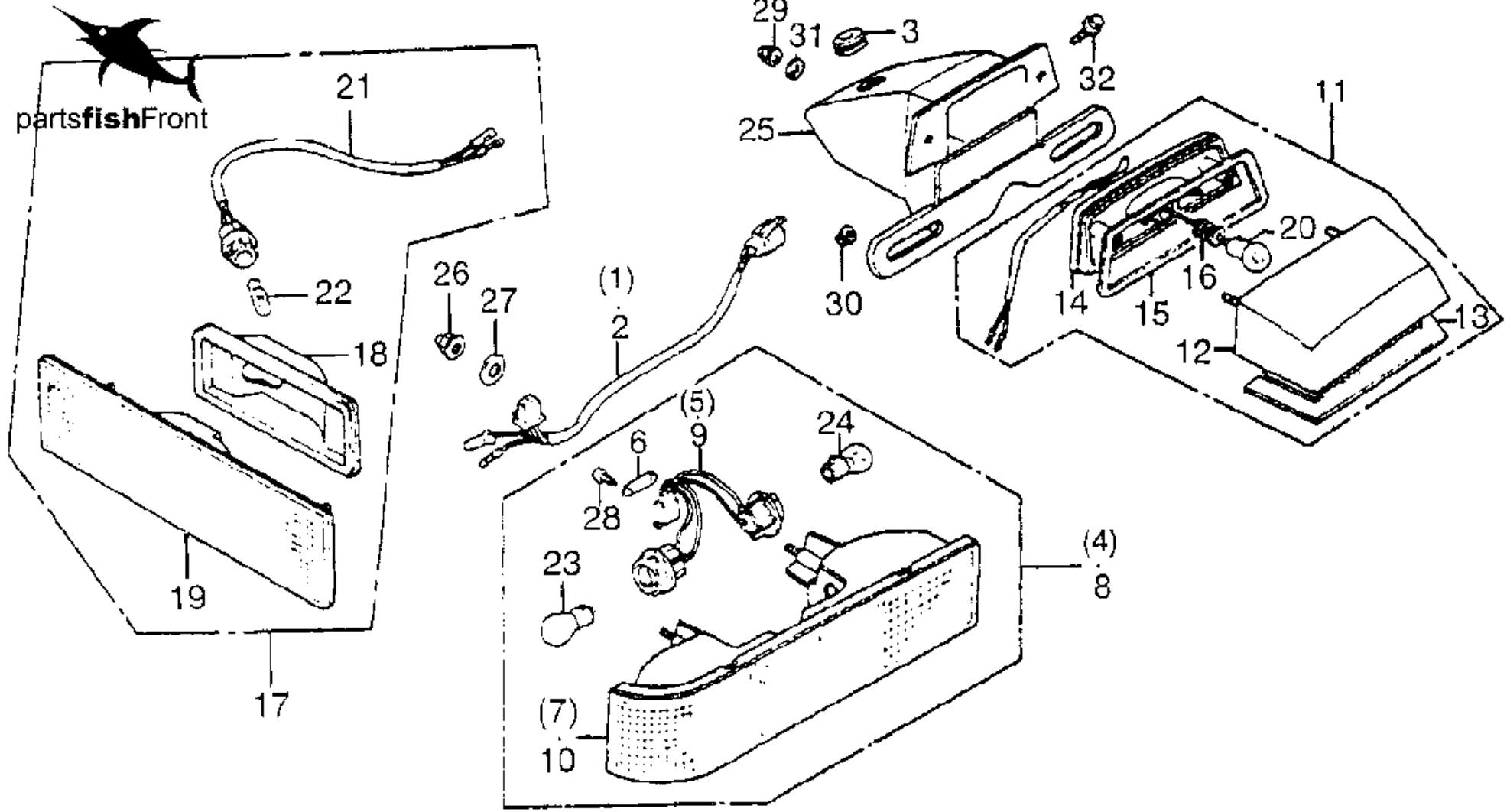


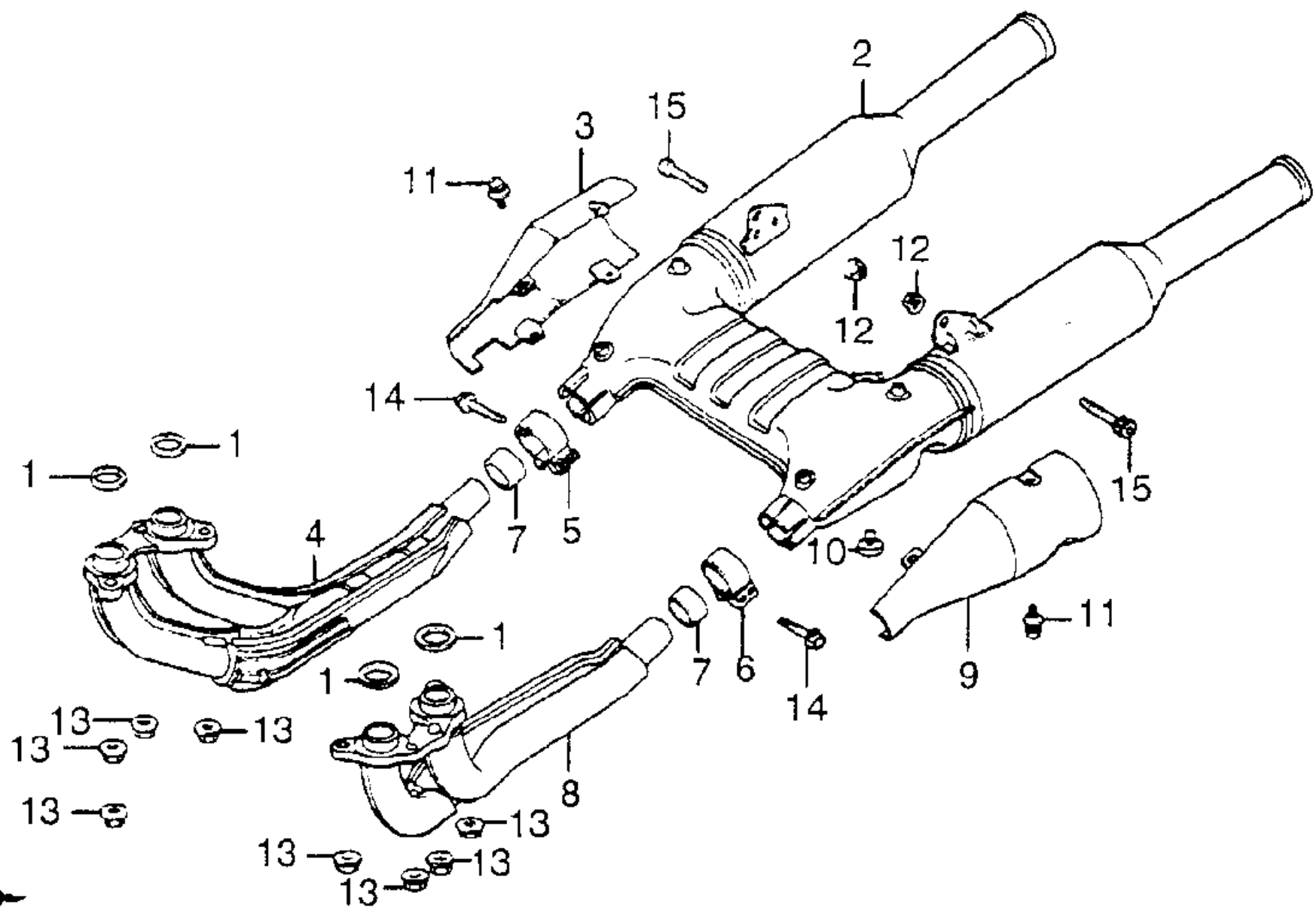






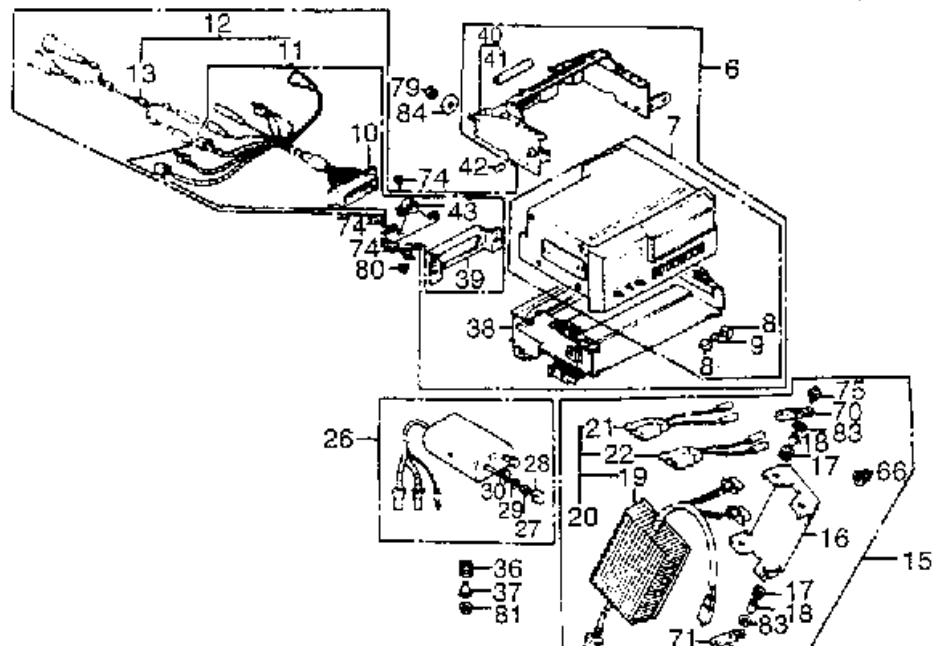
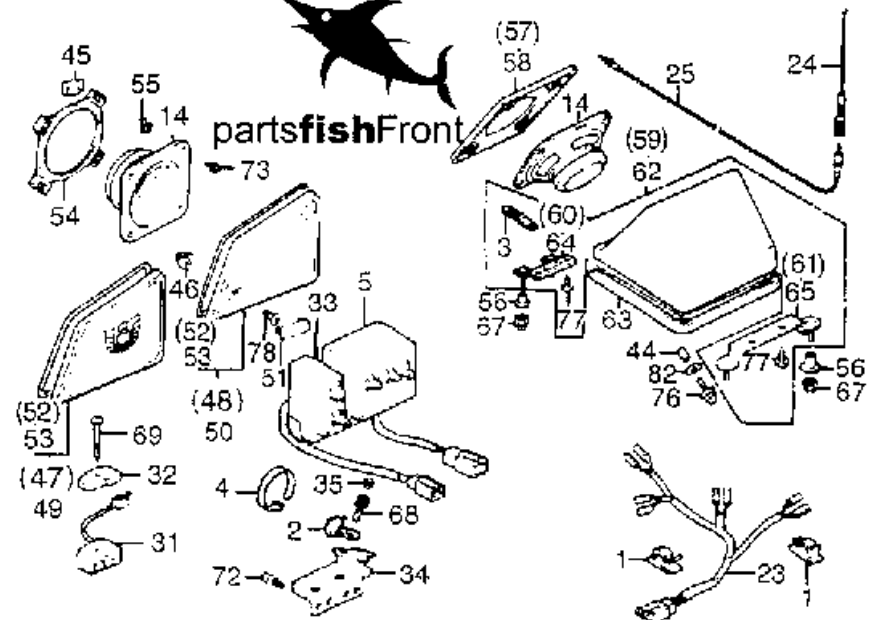
partsfishFront

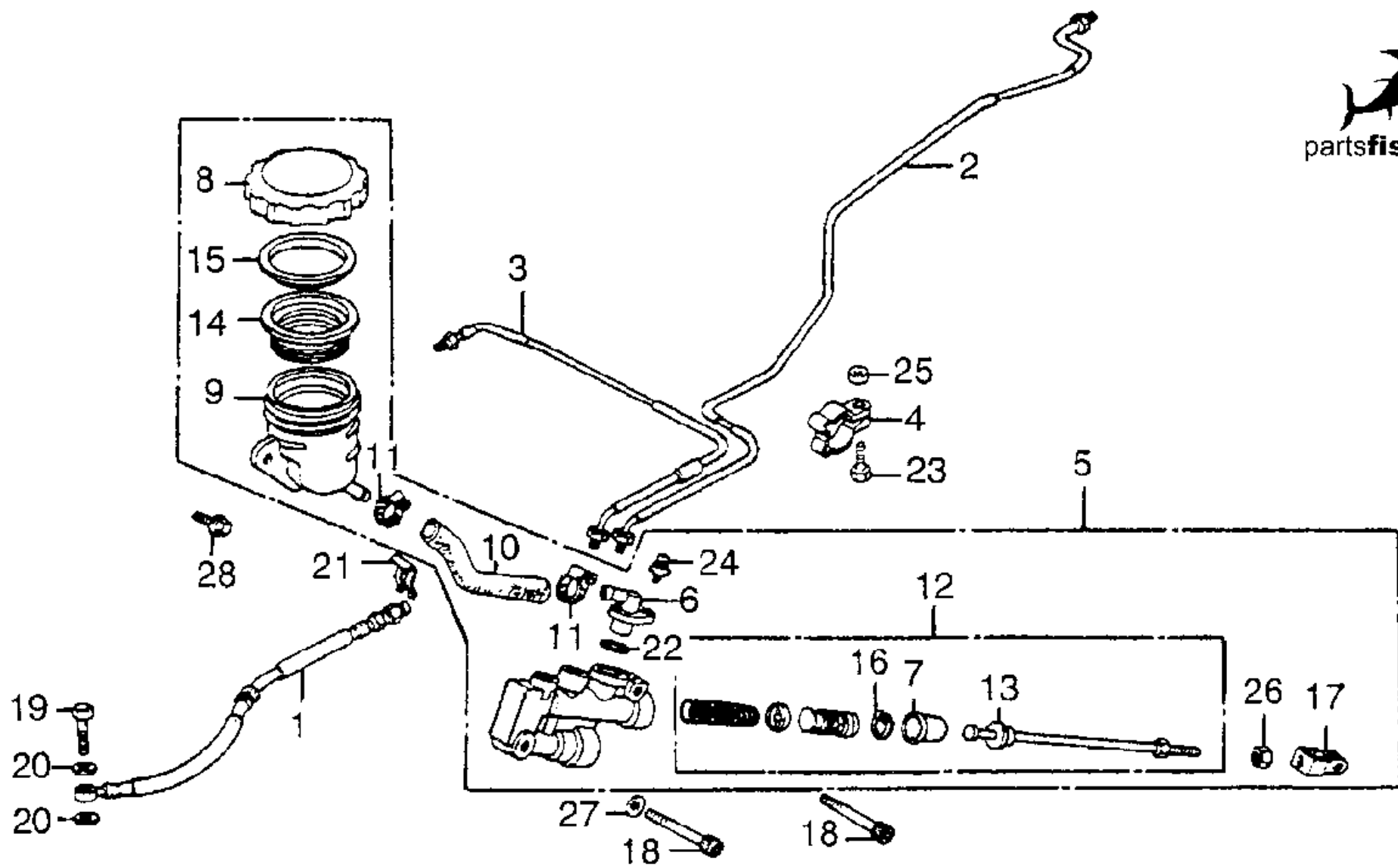


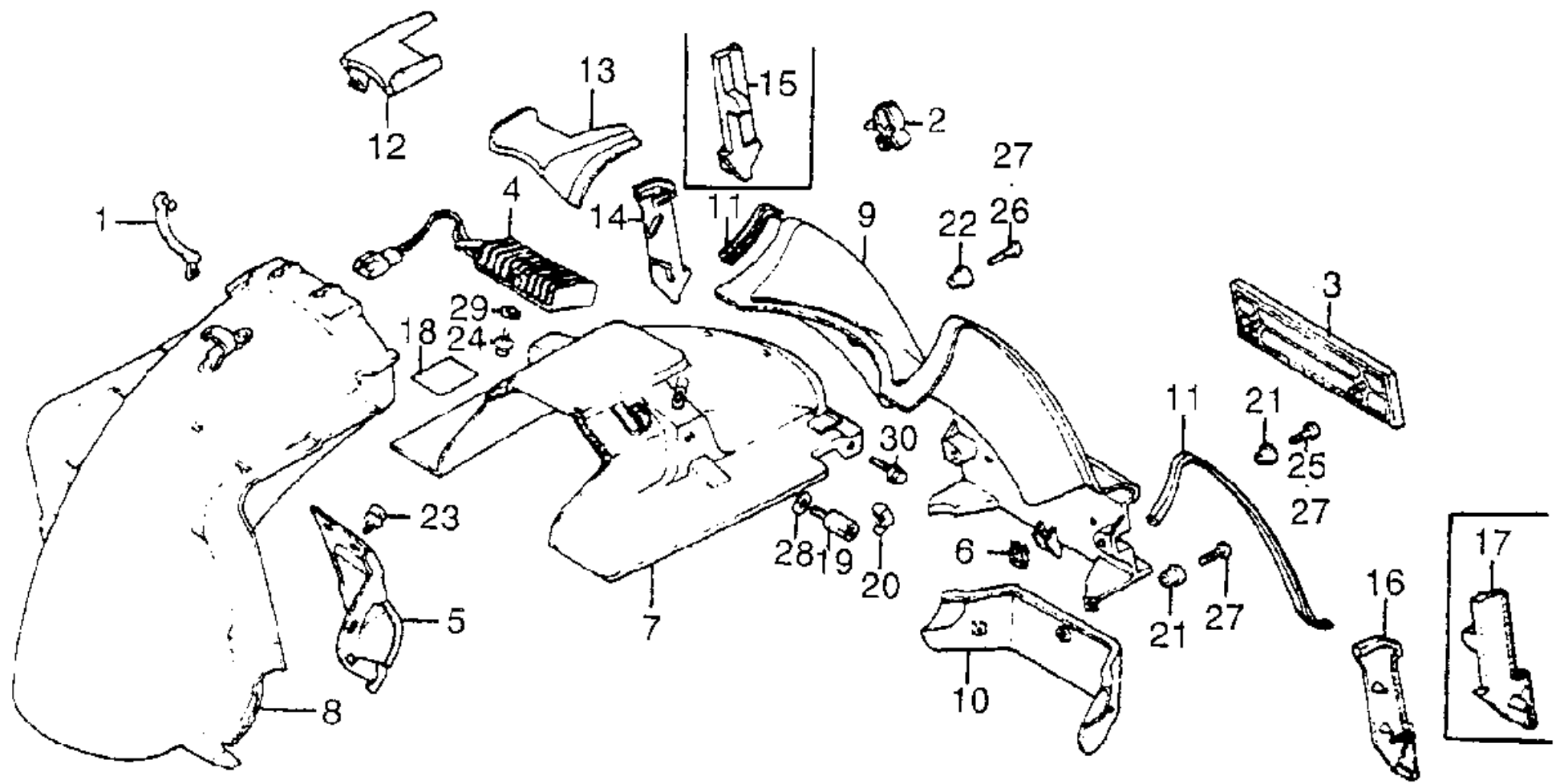


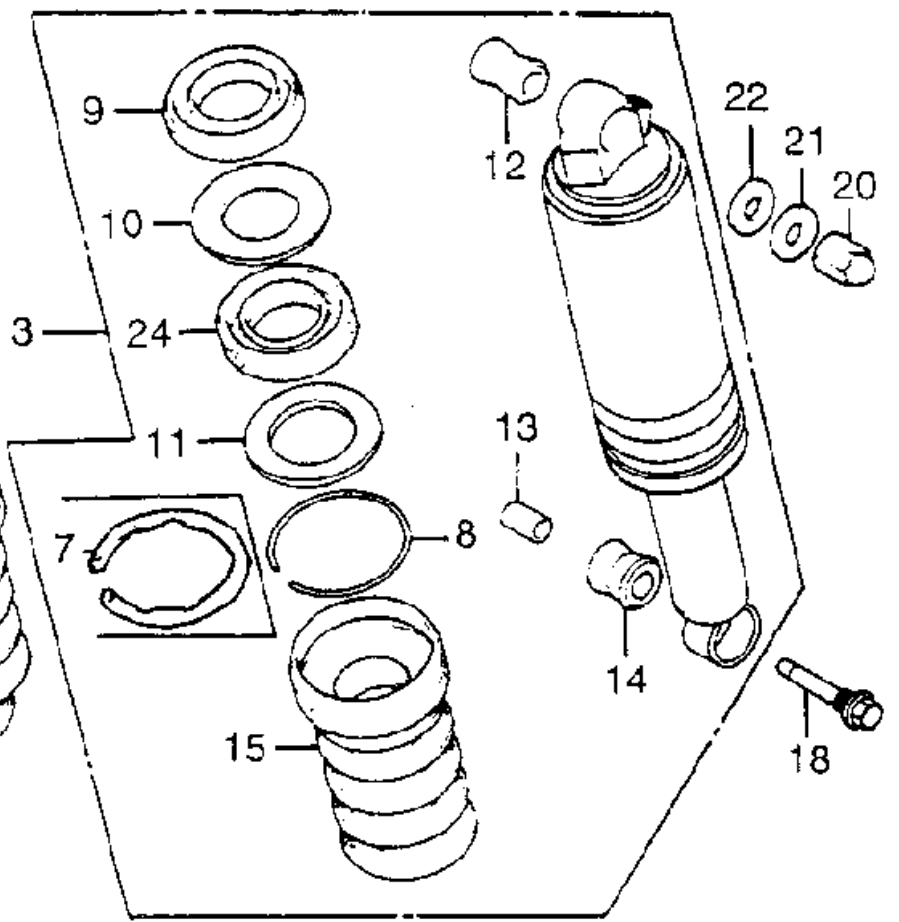
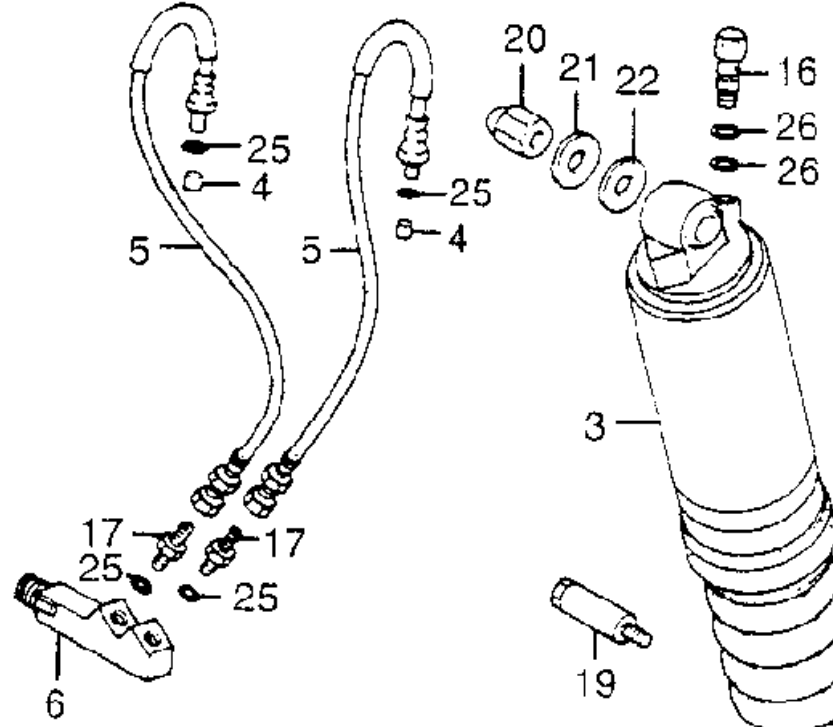
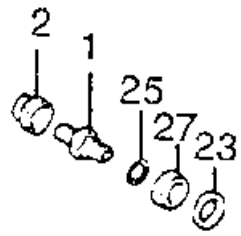


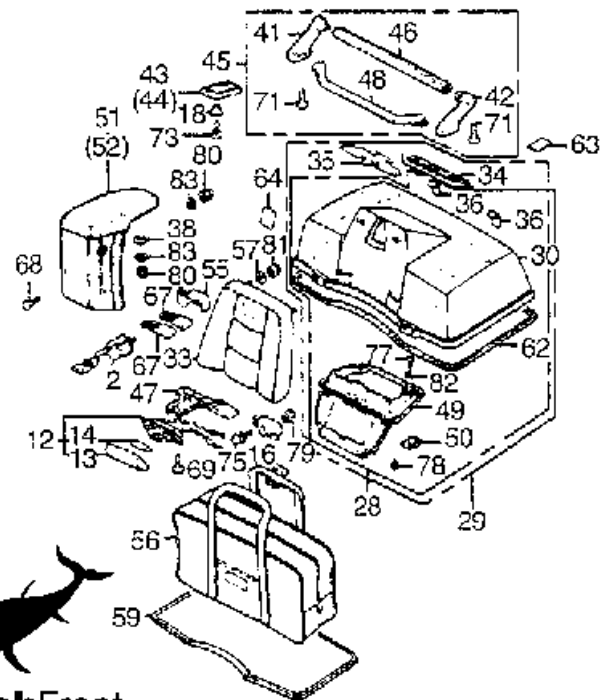
partsfishFront



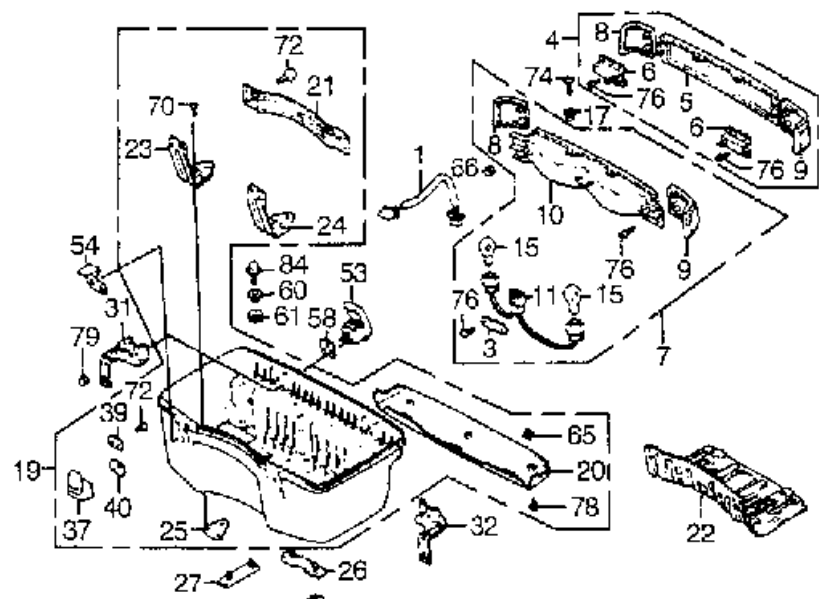


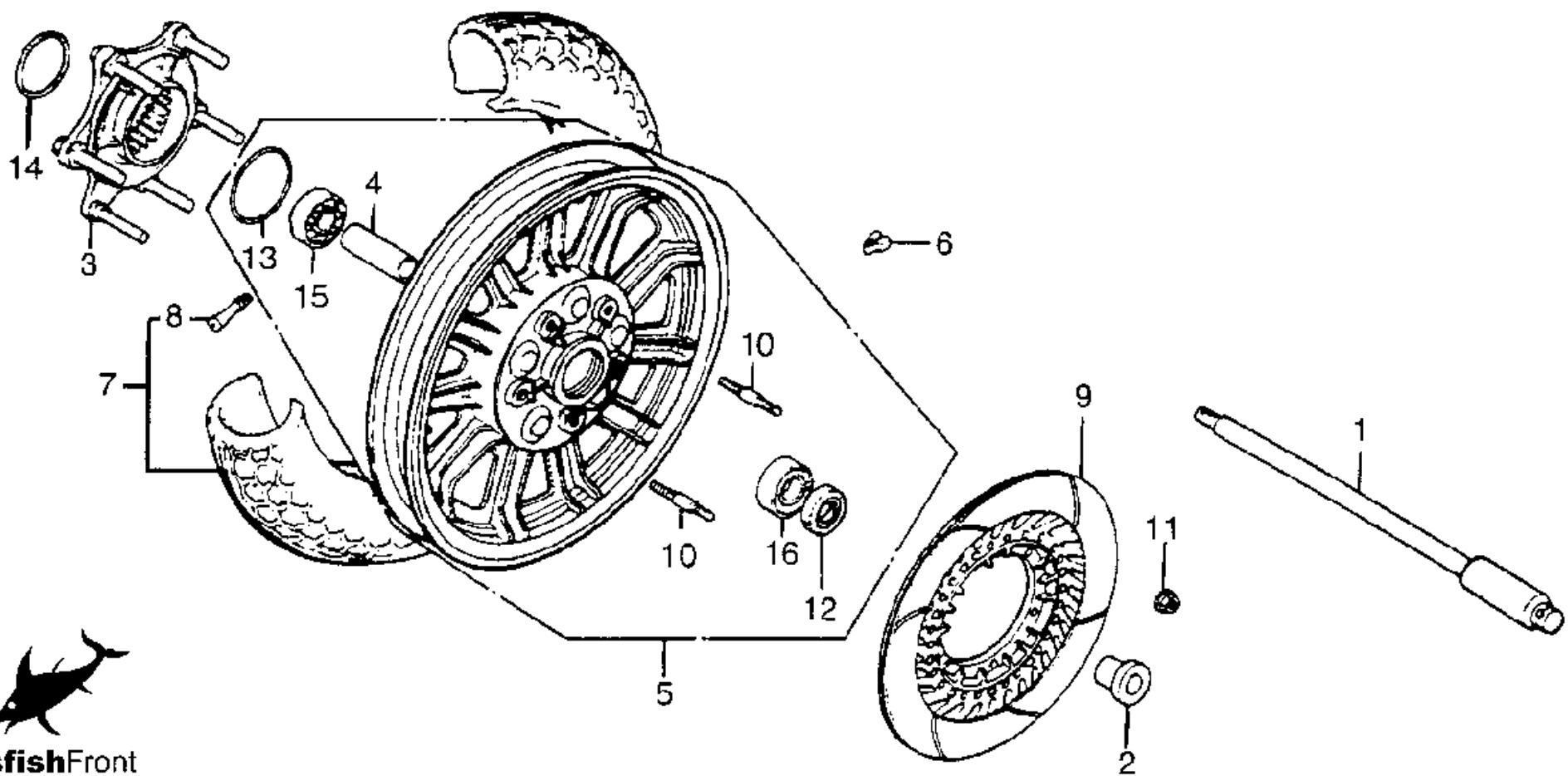




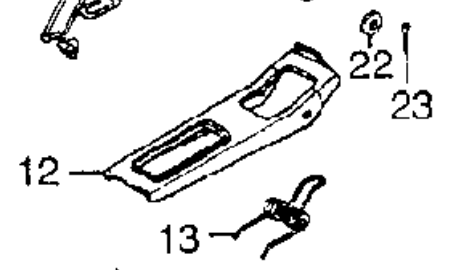
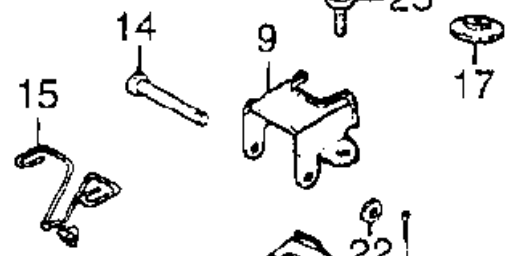
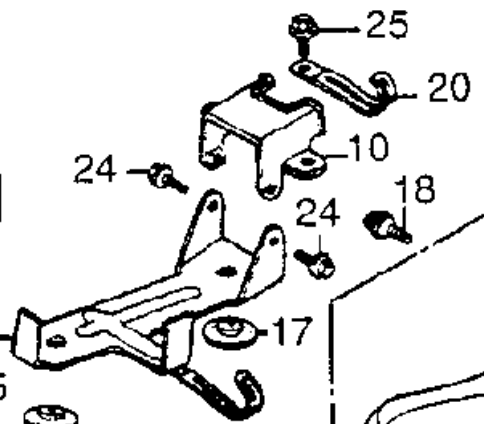
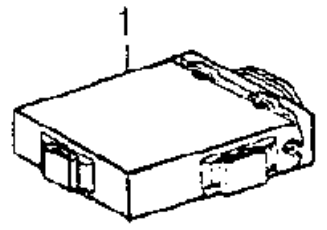
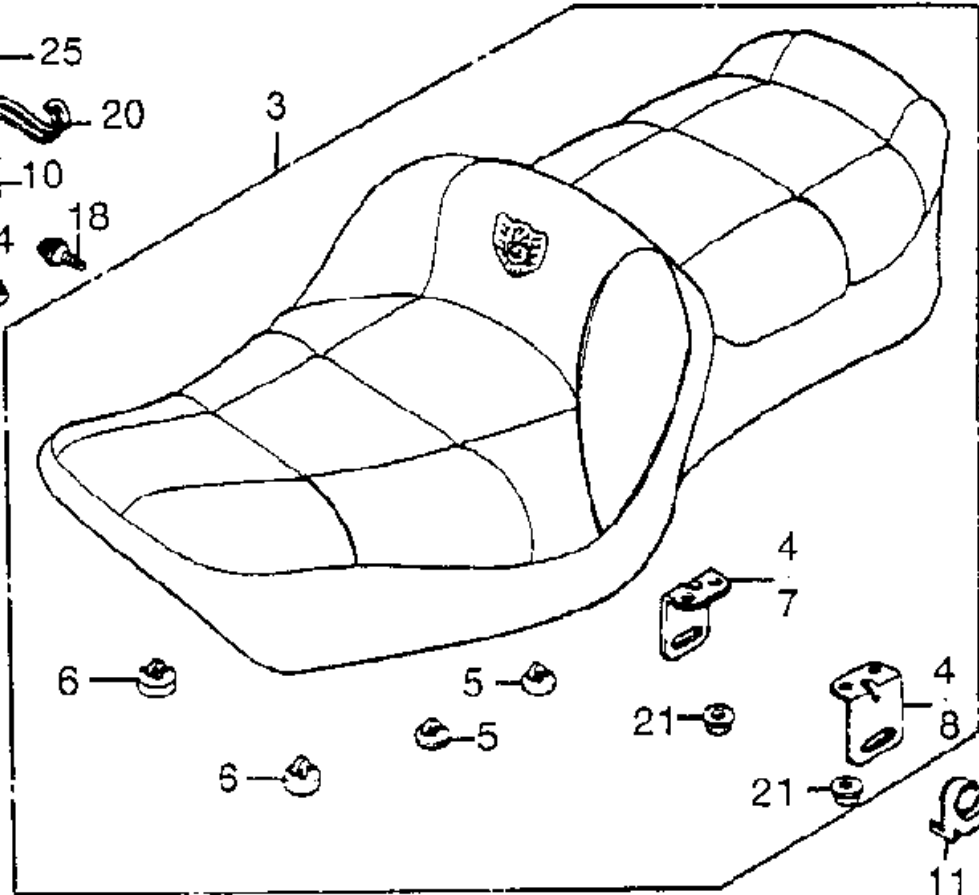


partsfishFront

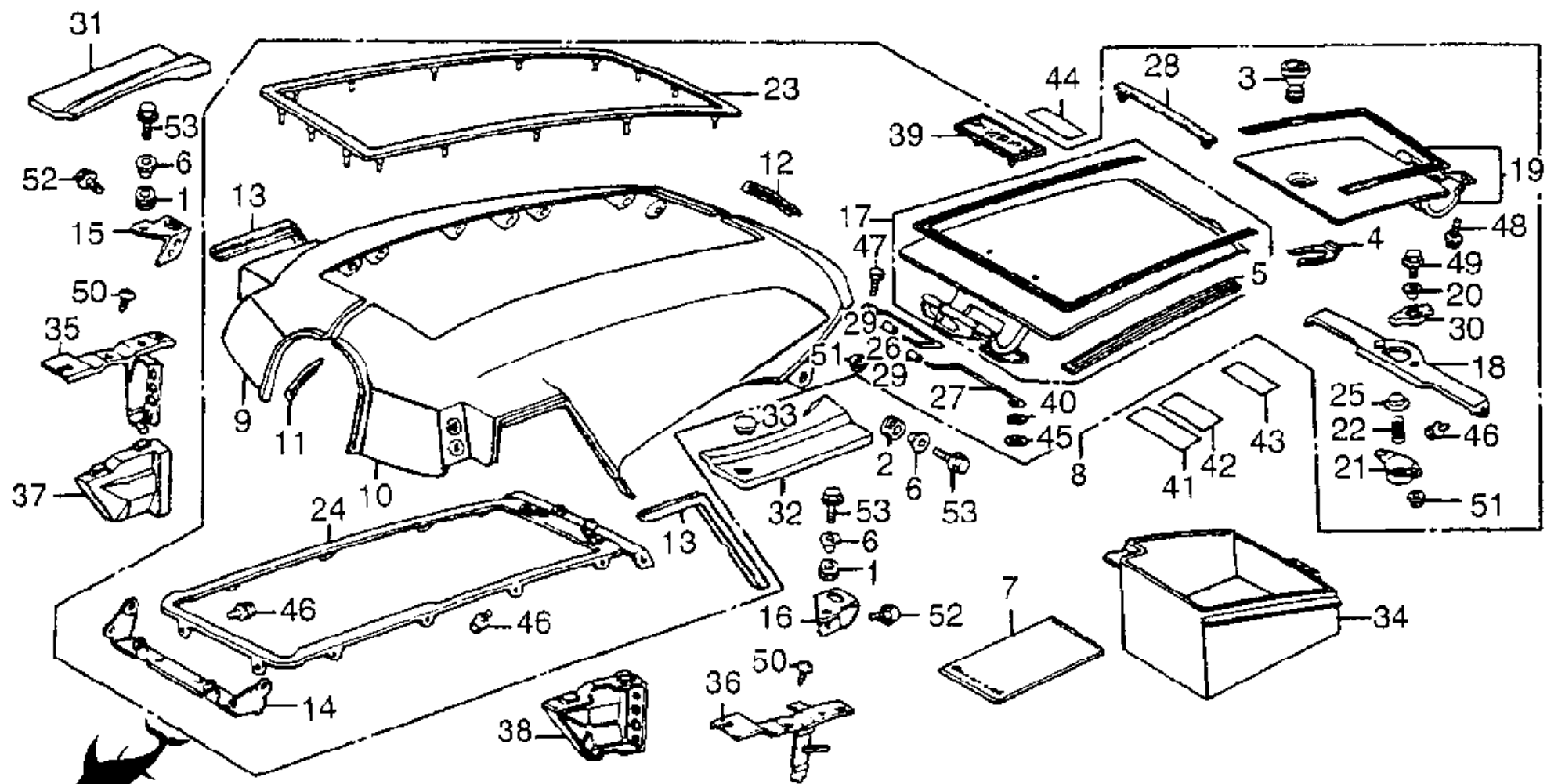


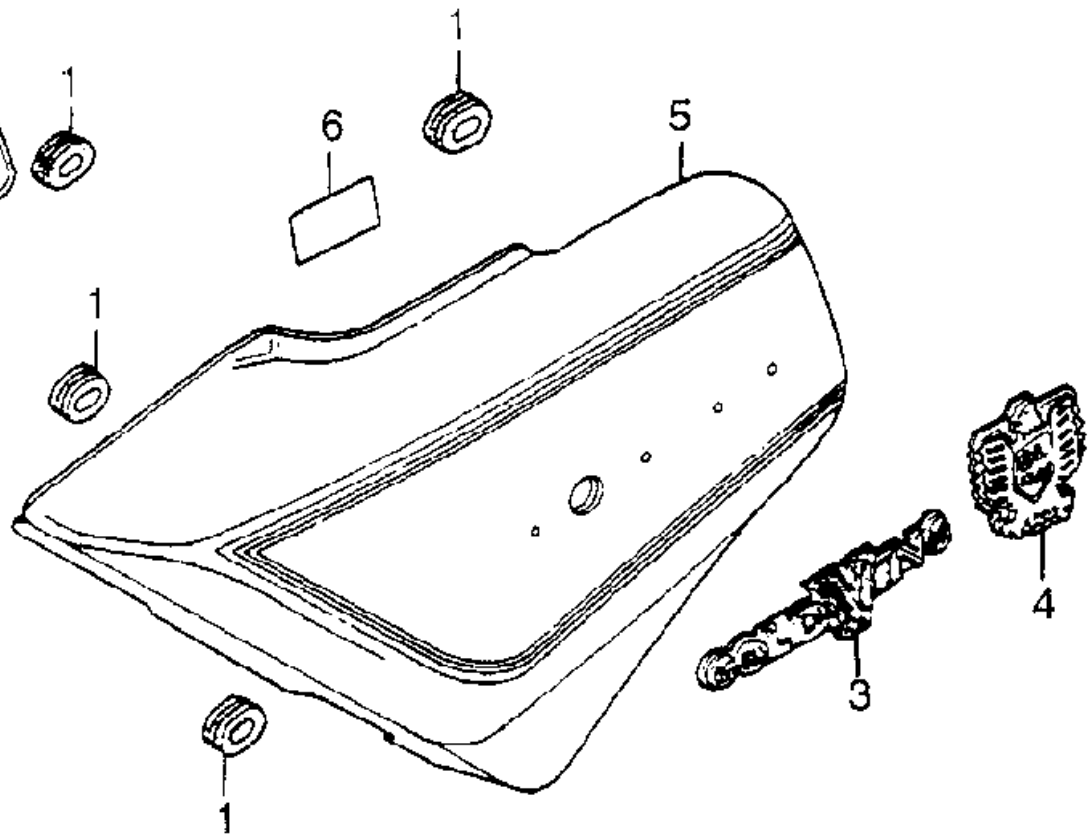
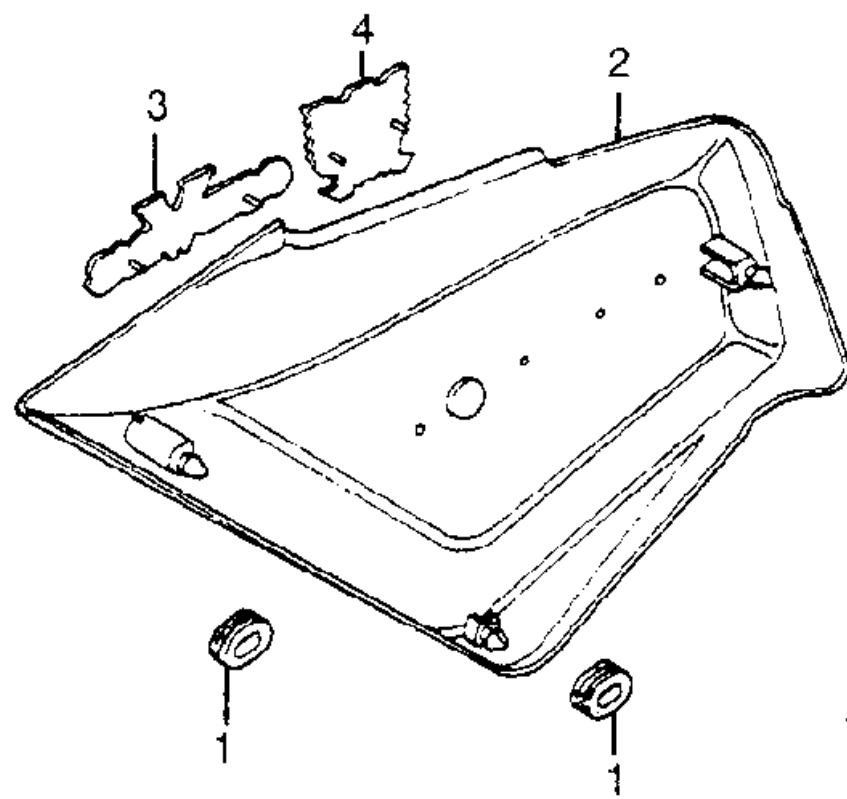


 parts**fish**Front

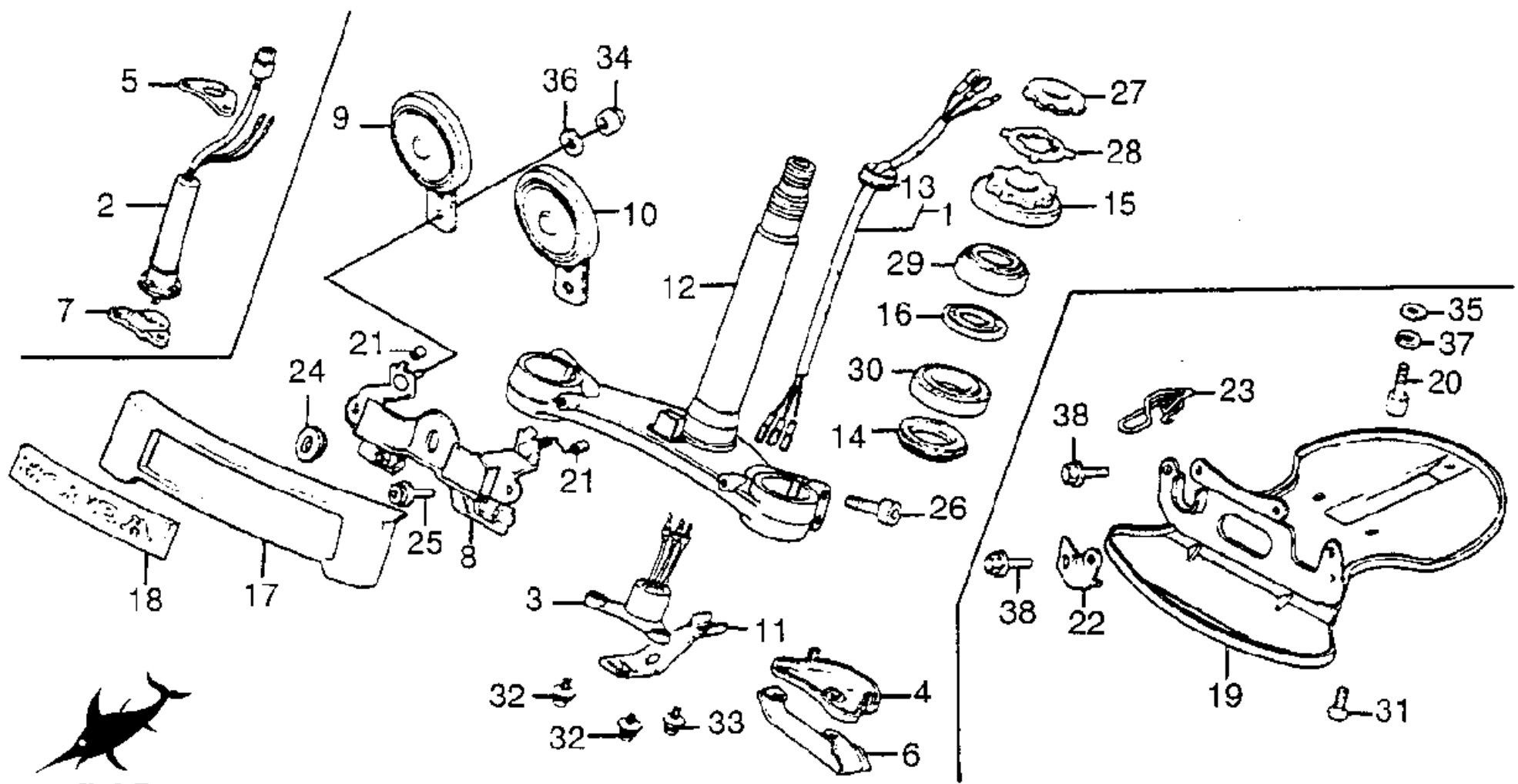


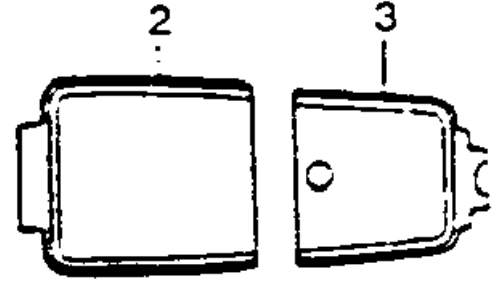
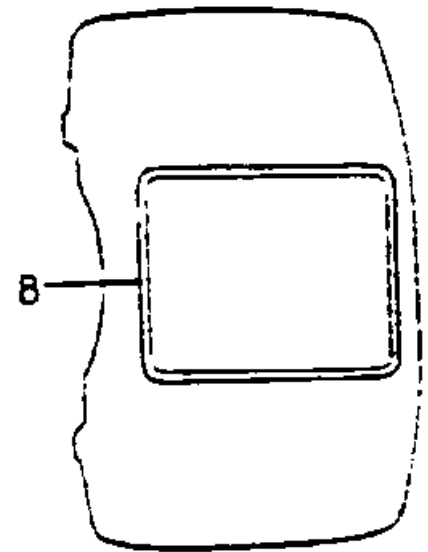
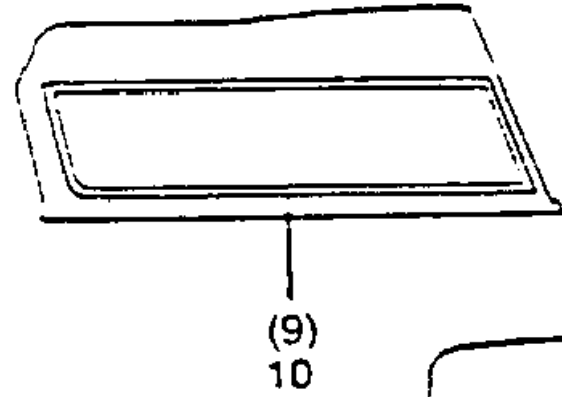
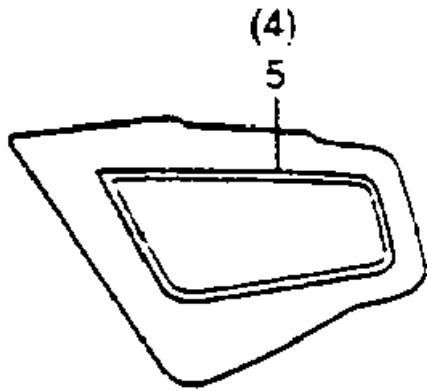
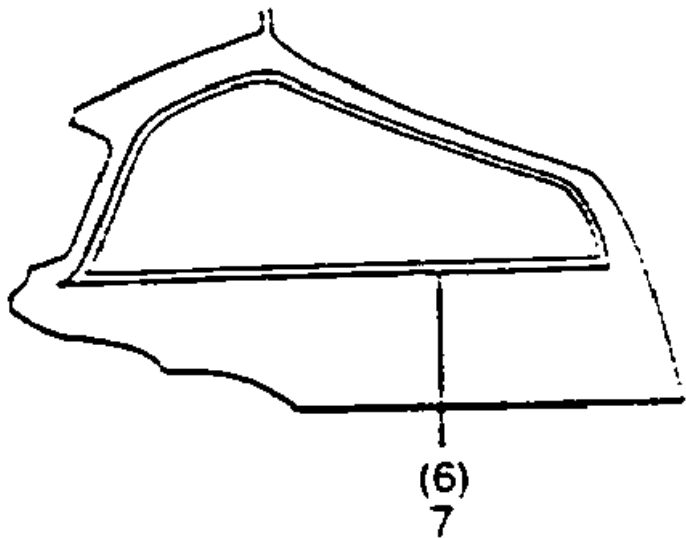
parts**fish**Front





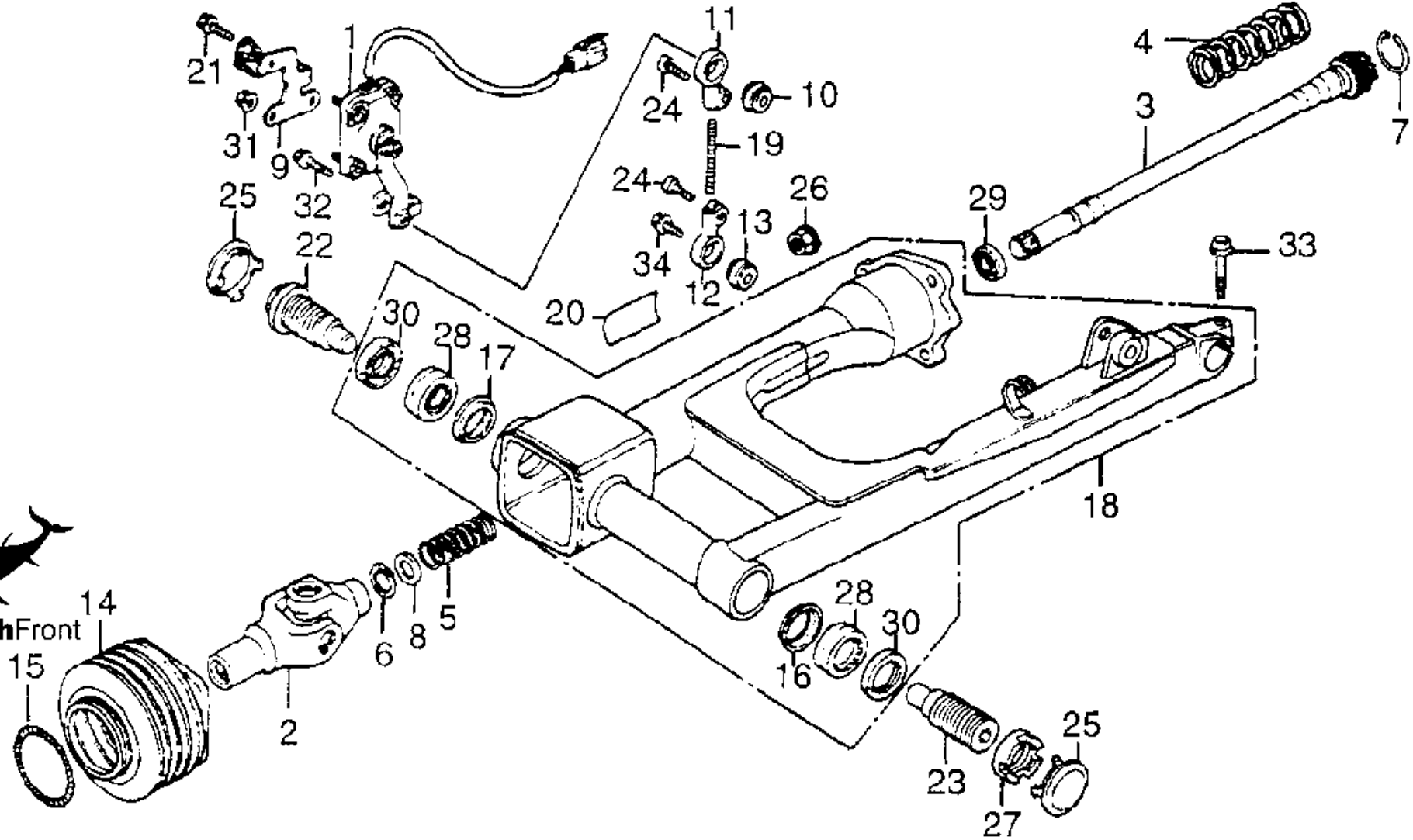
 parts**fish**Front

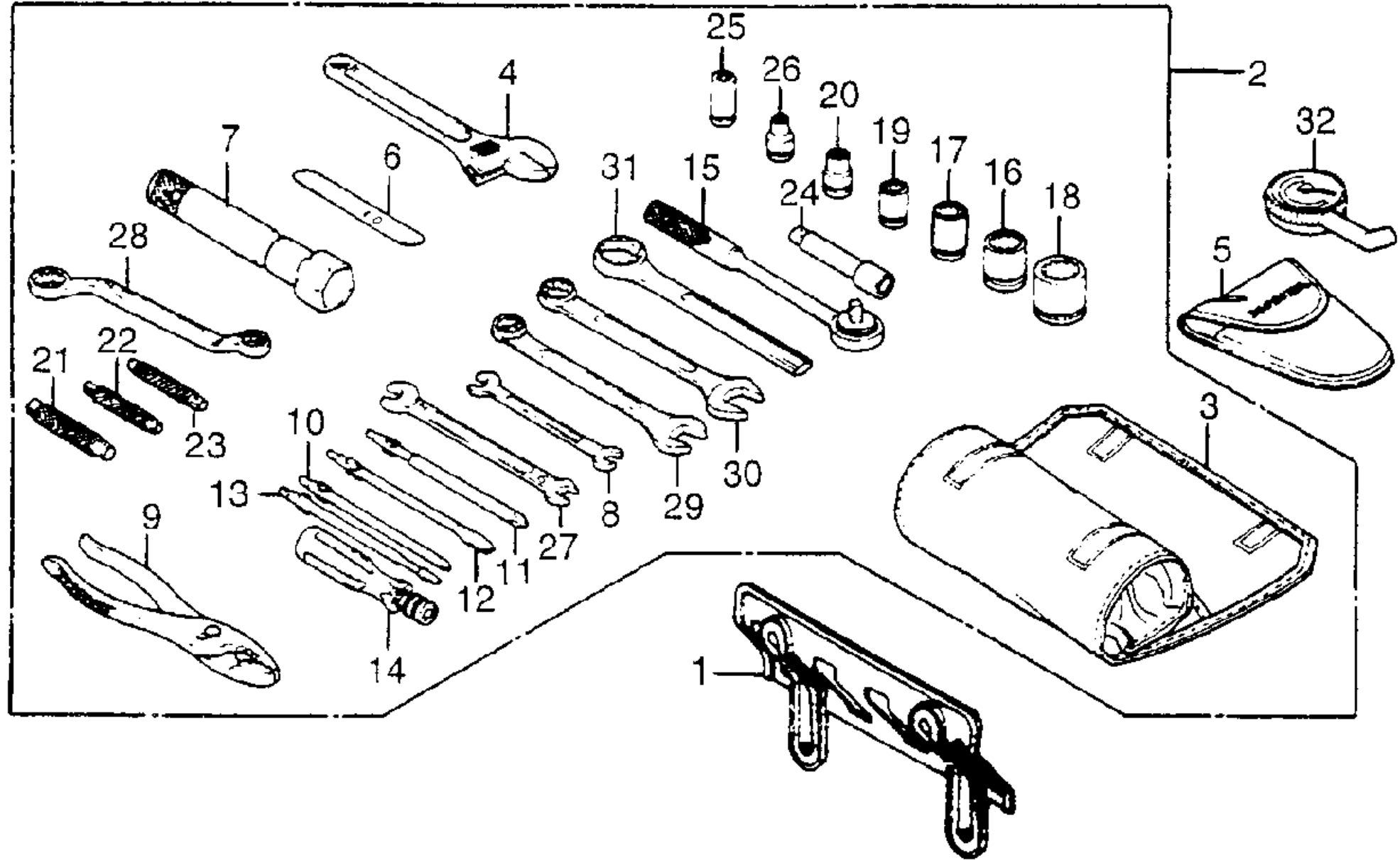


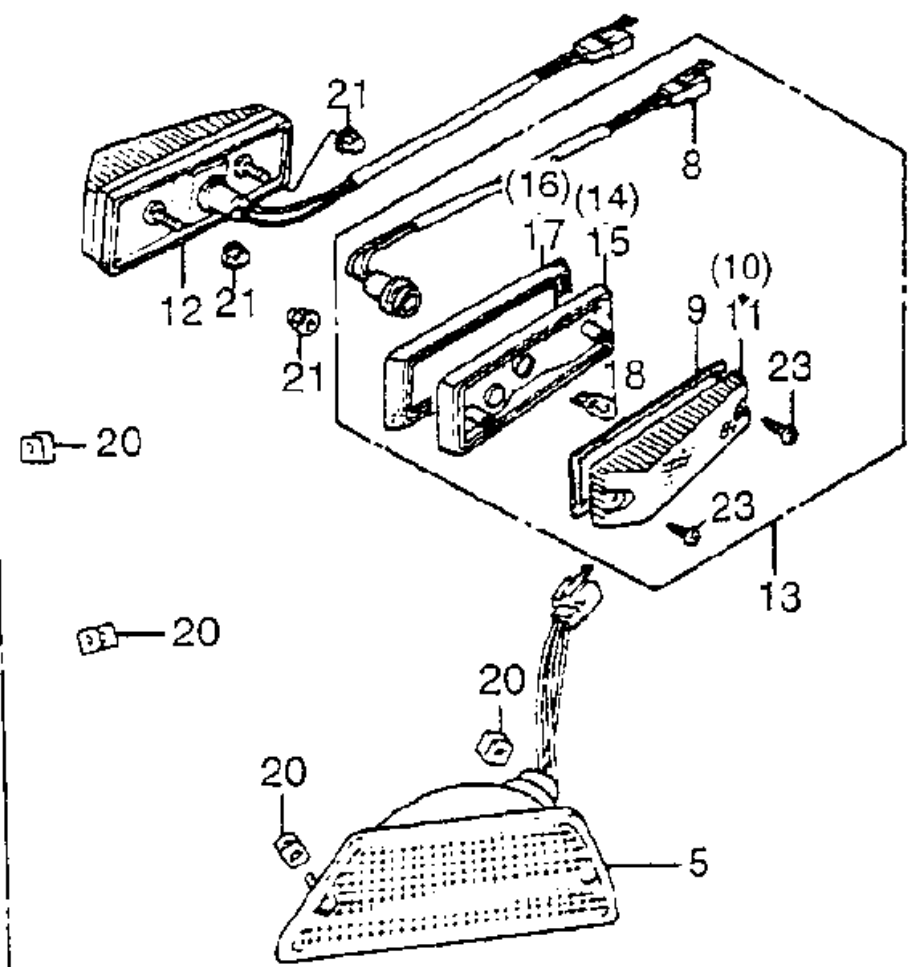
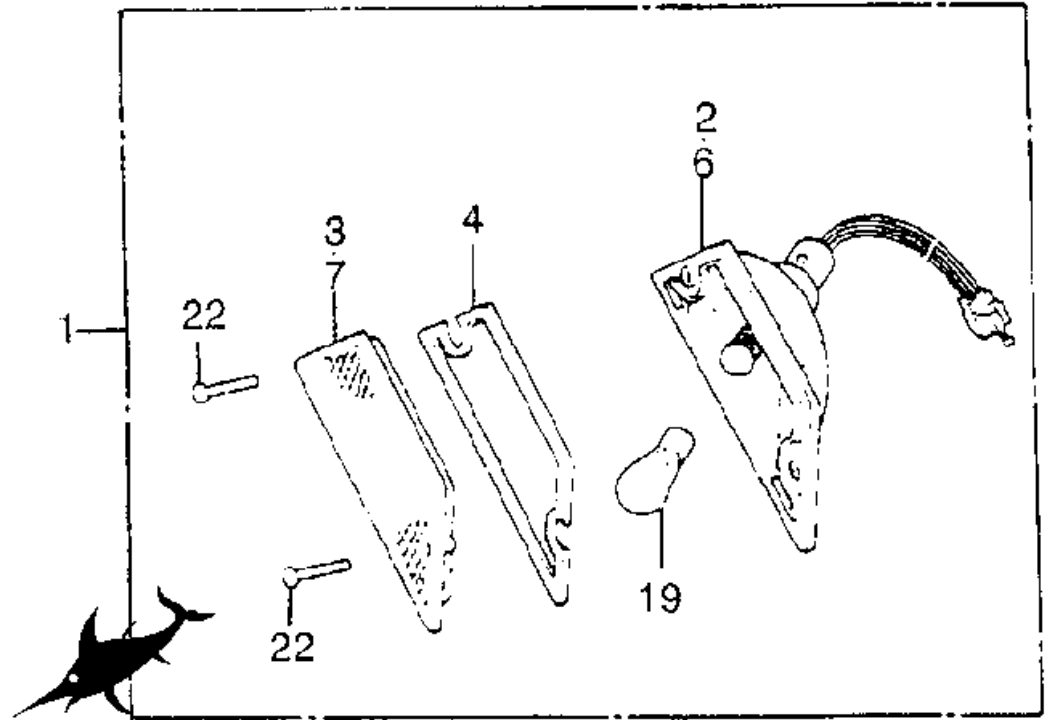


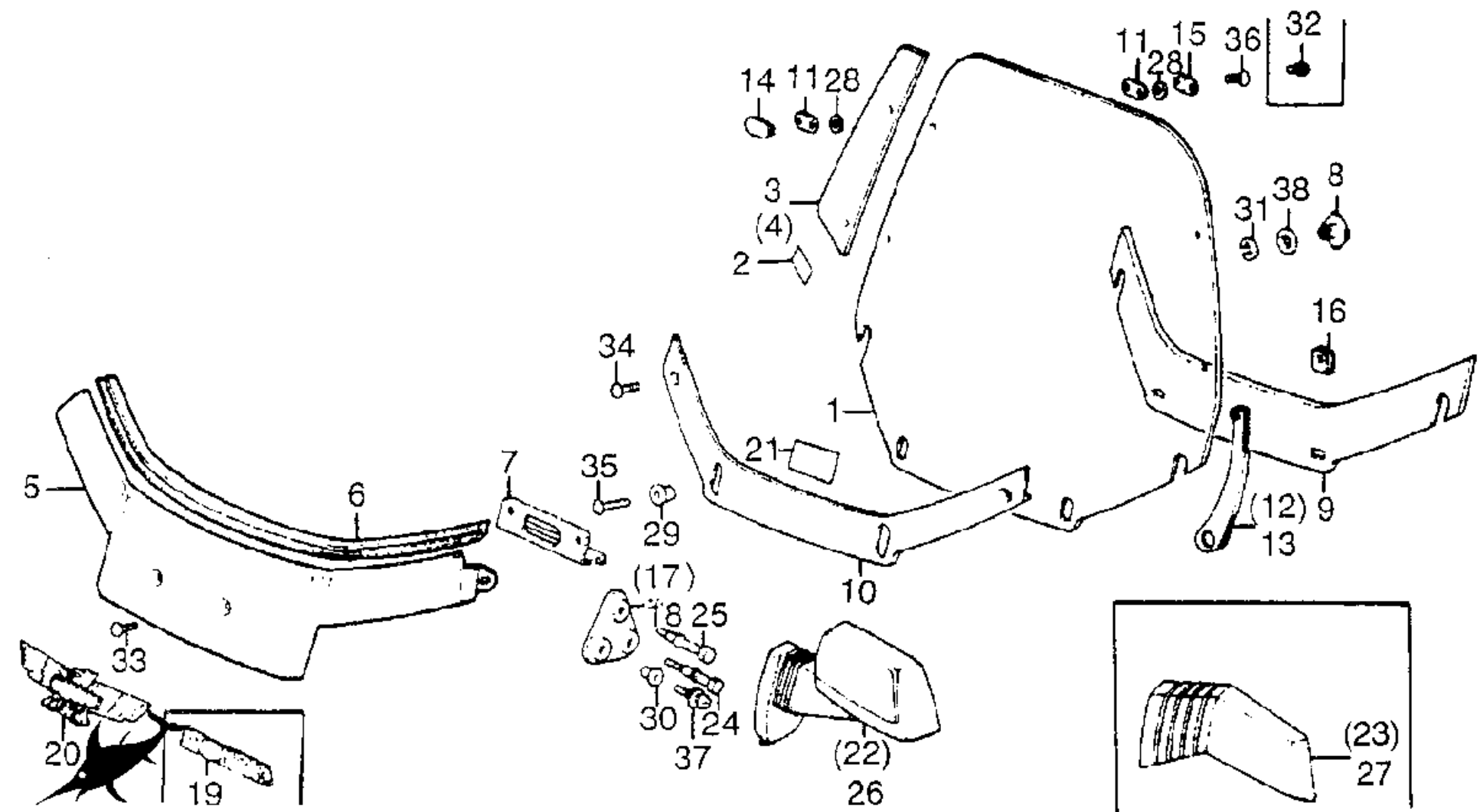


partsfishFront









parts**fish**Front

